

Tutto Hallway

UNIVERSAL CHAIR FOR HALLWAYS

Design Mikko Laakkonen

Tutto is a versatile and timeless chair family for public spaces. The corridor model was developed in response to customer needs and is designed for corridors and waiting areas where space efficiency is essential. Its specially shaped base positions the chair so that the backrest does not hit the wall, preventing wall damage while keeping walkways clear. Stackable and linkable, Tutto is available with a low backrest in either one-piece or two-piece construction, with or without armrests. Originally developed for healthcare environments, it is well suited to a wide range of public settings.

Materials and finishing

Leg Frame	Powder-coated steel with ISKU standard metal colors or chrome.
Seat and back	Available in formed wood, technical veneers and laminates. The seat is also available as painted in white or black.
Upholstery	The seat and backrest can be upholstered with ISKU standard fabrics.

Dimensions

Width	550 mm
Depth	560 mm
Height	800 mm
Seating height	430 mm



Tutto Hallway

Stackable:

- 10 pcs (free-standing / linked)
- 15 pcs on trolley

Seat measurement:

- Seat height 45cm
- Sitting height 43cm
- Seat depth 42cm
- Sitting depth 40cm
- Seat width 45cm

Linking option with device

Pads:

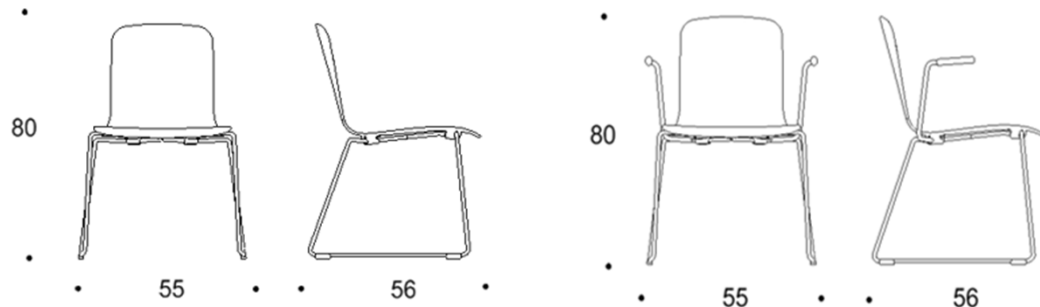
- Standard
- Felt

Wall-safe design:

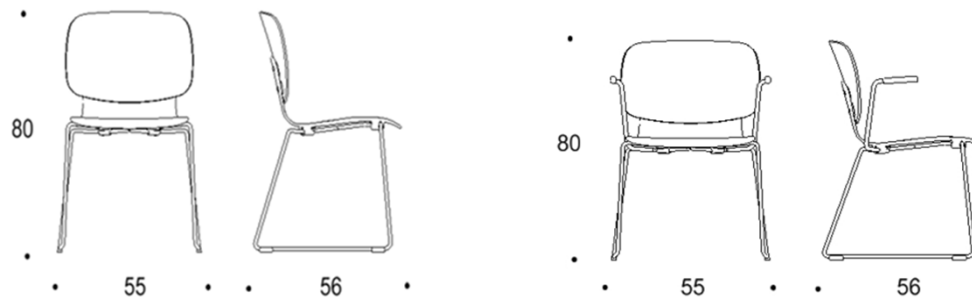
base controls distance from wall



TUTTO LOOP LEG CHAIR HALLWAY, LOW BACK SEAT, SOLID BACKREST | Sitting height 43 cm



TUTTO LOOP LEG CHAIR HALLWAY, LOW BACK SEAT, TWO-PART BACKREST | Sitting height 43 cm





2

Vastaanotto
201-212 →

↑ Laboratorio
Röntgen WC →



Tutto Hallway