

# Style Twin

## SIT & STAND WORKSTATION FOR TWO

### Design ISKU

With straight sit & stand frame Style Twin transforms easily into different purposes - individual or teamwork, even for meetings with the addition of chairs around. Robust and flexible design with continuous height adjustment ensures ergonomic work position. Freestanding legs provide unrestricted legroom and freedom of movement. Acoustic screens can be added if privacy and tools for acoustics management are desired.

### Materials and finishing

Frame	Powder-coated steel (black, white or silver)
Tabletop	High Pressure Laminate (oak, birch, black or white)
Accessories	Table screen upholstered with ISKU screen fabric

### Dimensions

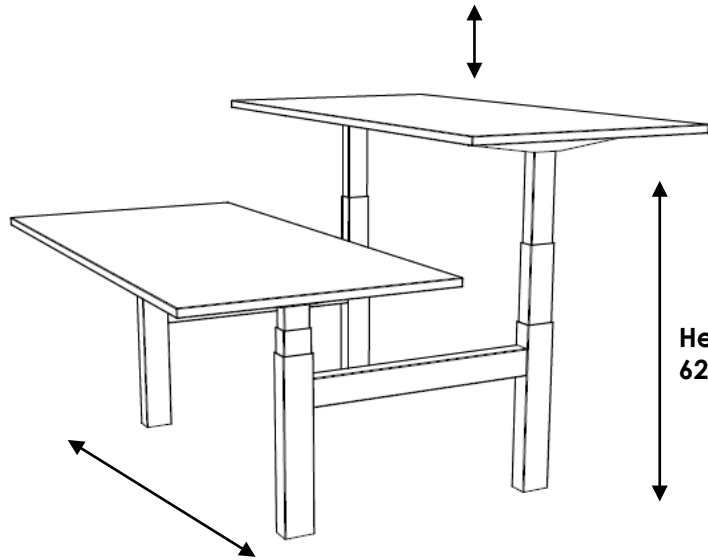
Width	1600mm, 1800 mm
Depth	700 mm, 800 mm / table
Height	620 mm – 1250 mm



# Style Twin

SIT&STAND WORKSTATION

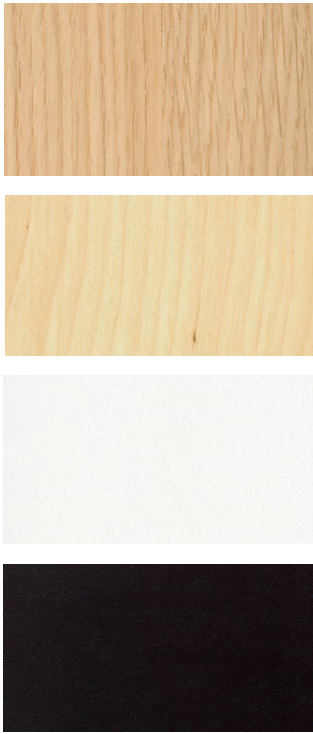
Lifting capacity 100kg



Desktop size  
800mm x 1400/1600/1800mm  
700mm x 1400/1600/1800mm



DESKTOP



FRAME

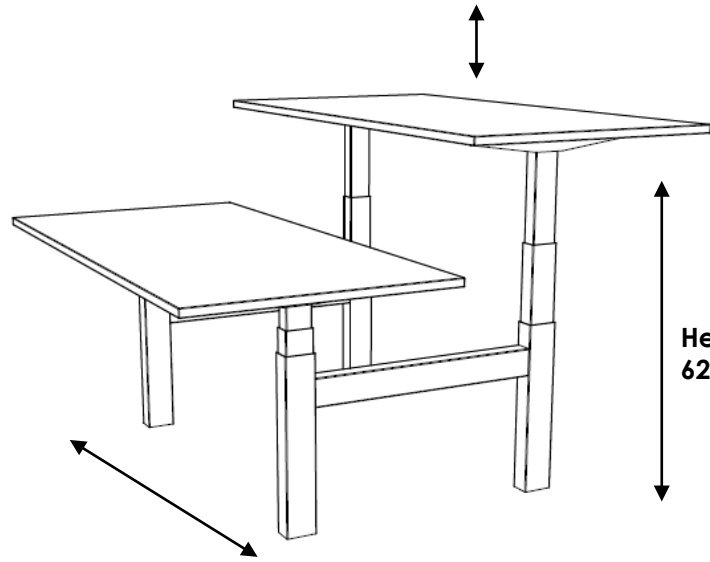


**ISKU**  
Since 1928

# Style Twin

SIT&STAND WORKSTATION

Lifting capacity 100kg

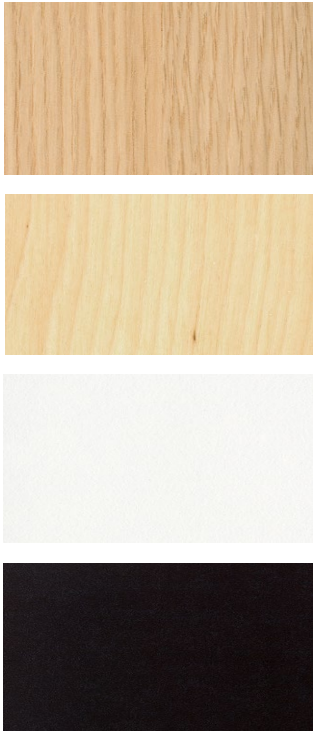


Desktop size  
800mm x 1600/1800mm  
700mm x 1600/1800mm

Height-adjustment range  
620mm - 1250mm



DESKTOP



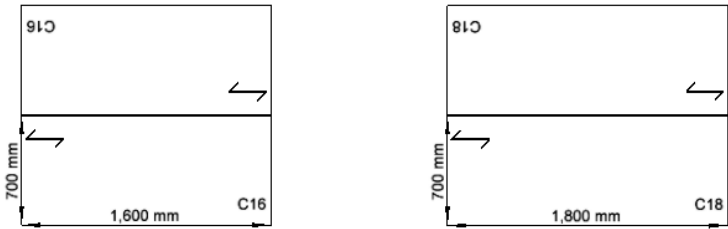
FRAME



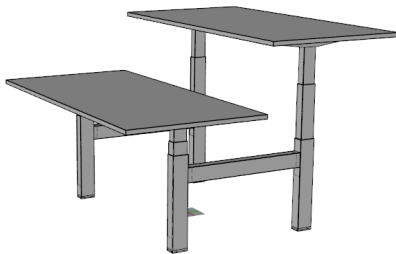
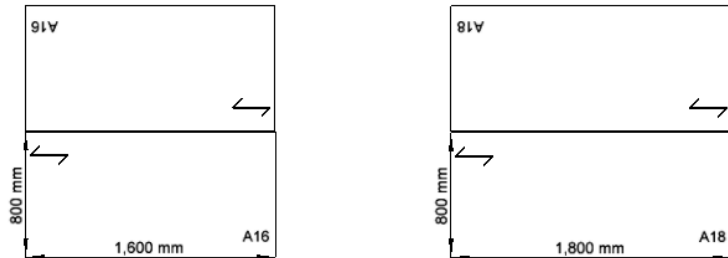
## CHOOSE THE SIZE

Desktop depth 700 mm or 800 mm  
Desktop width 1600 mm or 1800 mm

Style Twin tabletops (depth 700 mm)



Style Twin tabletops (depth 800 mm)

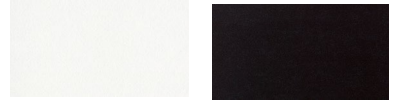


## CHOOSE MATERIALS

### Desktop laminate

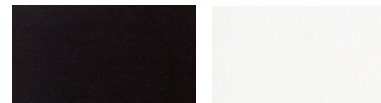


Lam 428 oak Lam 421 birch

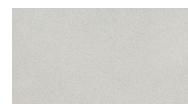


Lam 415 white Lam 435 black

### Frame color



Black White



Silver

## CHOOSE ACCESSORIES



# PRODUCTS

**ISKU**  
Since 1928

## Style Twin



## Tutto Active

[www.isku.com](http://www.isku.com)



Fabric: [Cura](#)

## Tutto Meeting

[www.isku.com](http://www.isku.com)



Fabric: [Cura](#)

## Idea Meeting

[www.isku.com](http://www.isku.com)



Fabric: [Cura](#)

## Screen

[www.isku.com](http://www.isku.com)



Fabric: [Cura Screen](#)