

2024

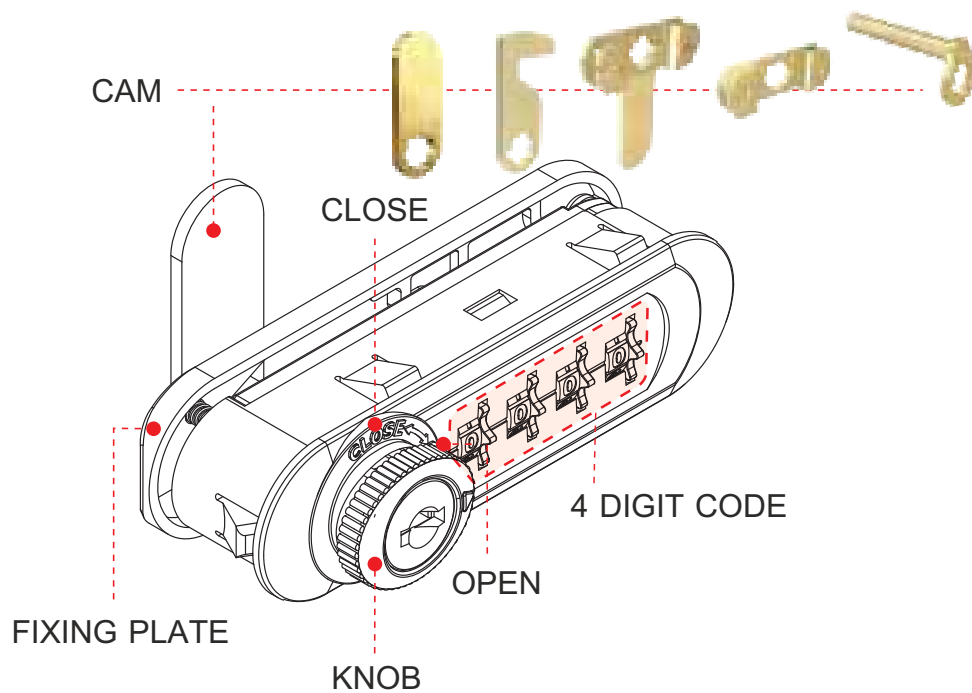
ISKU

Isku Interior
www.isku.com

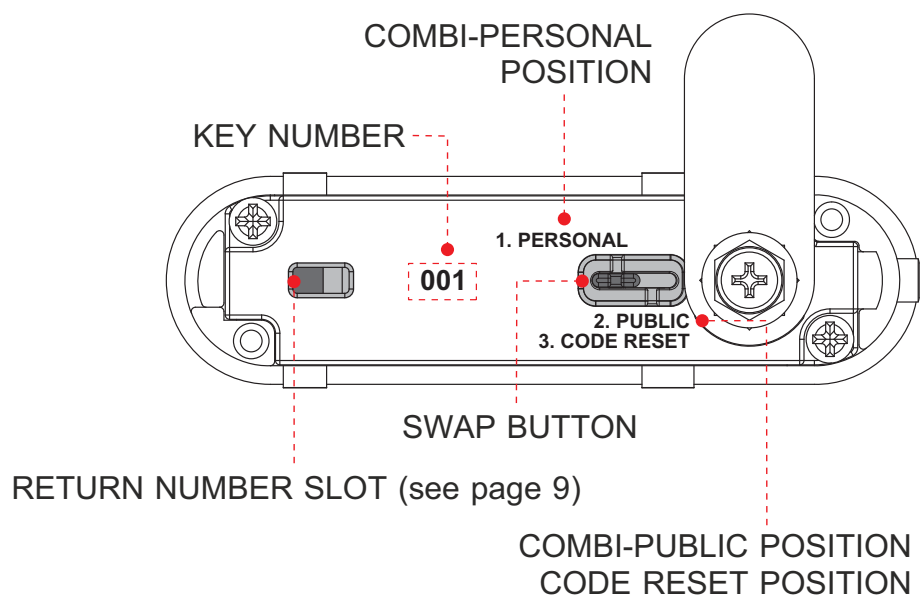
Manual for CL821 / CL822 locks



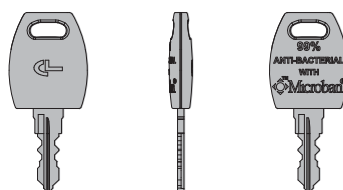
FRONT



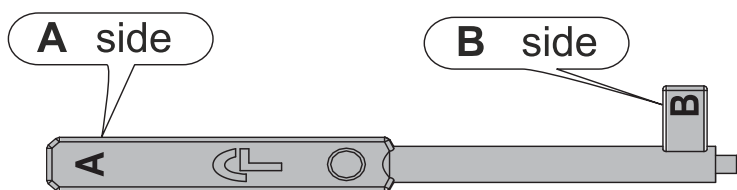
BACK



RECOVERY KEY

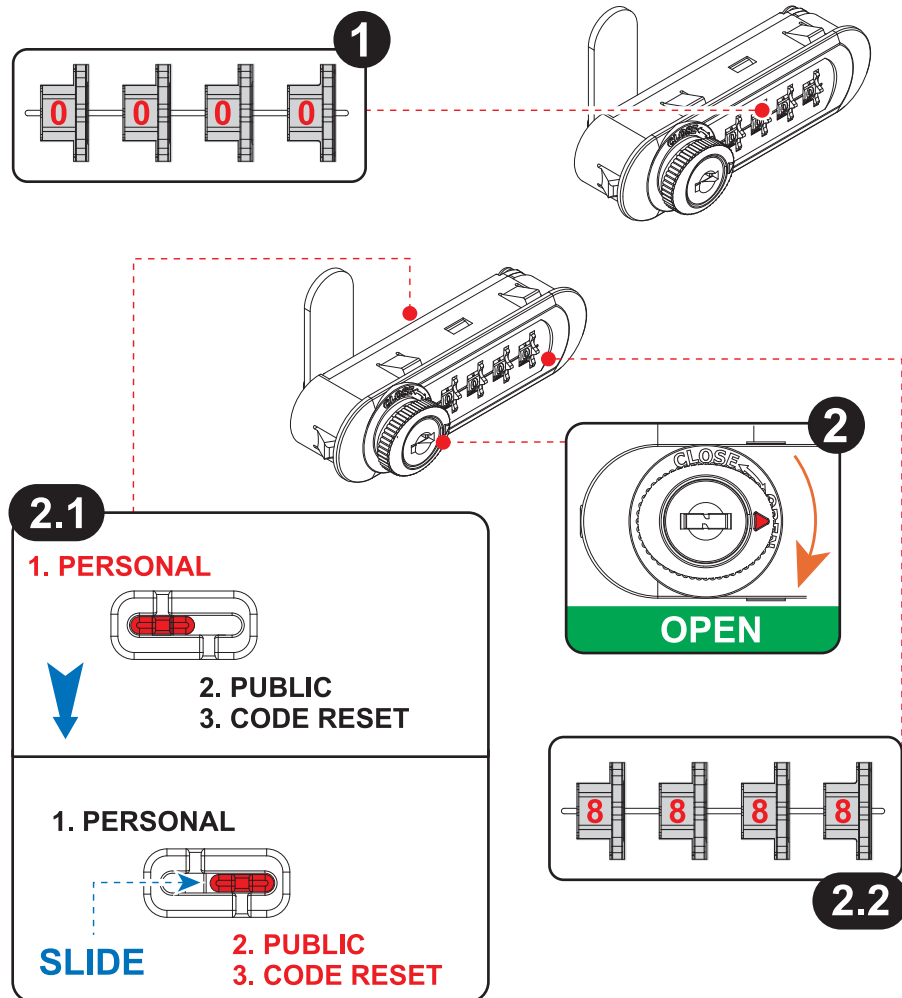


(ANTIBACTERIAL)

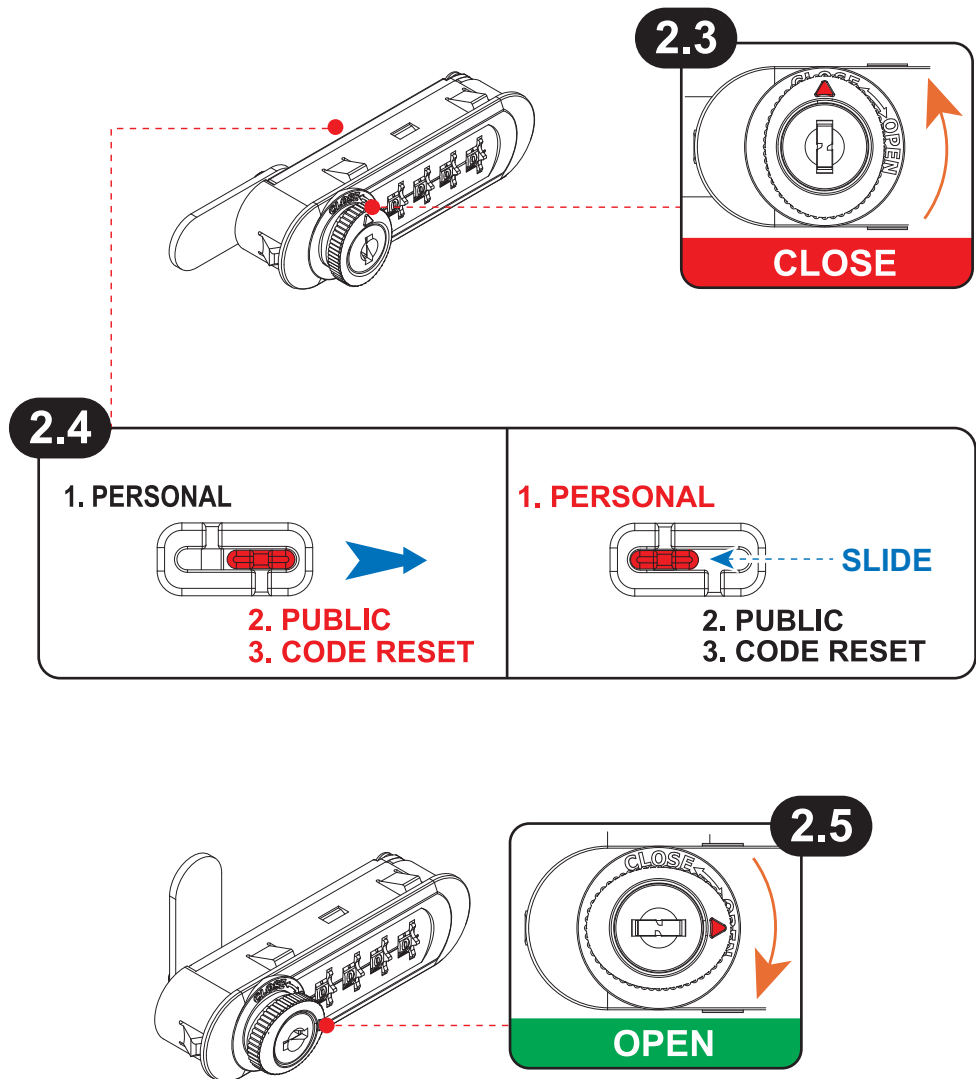


RECOVERY TOOL

FOR COMBI-PERSONAL



1. The preset factory code is 0-0-0-0
2. To change the secret code, rotate the knob to OPEN position
- 2.1 Slide the swap button to **3. Code reset**
- 2.2 The new secret code can be reset, e.g. 8-8-8-8

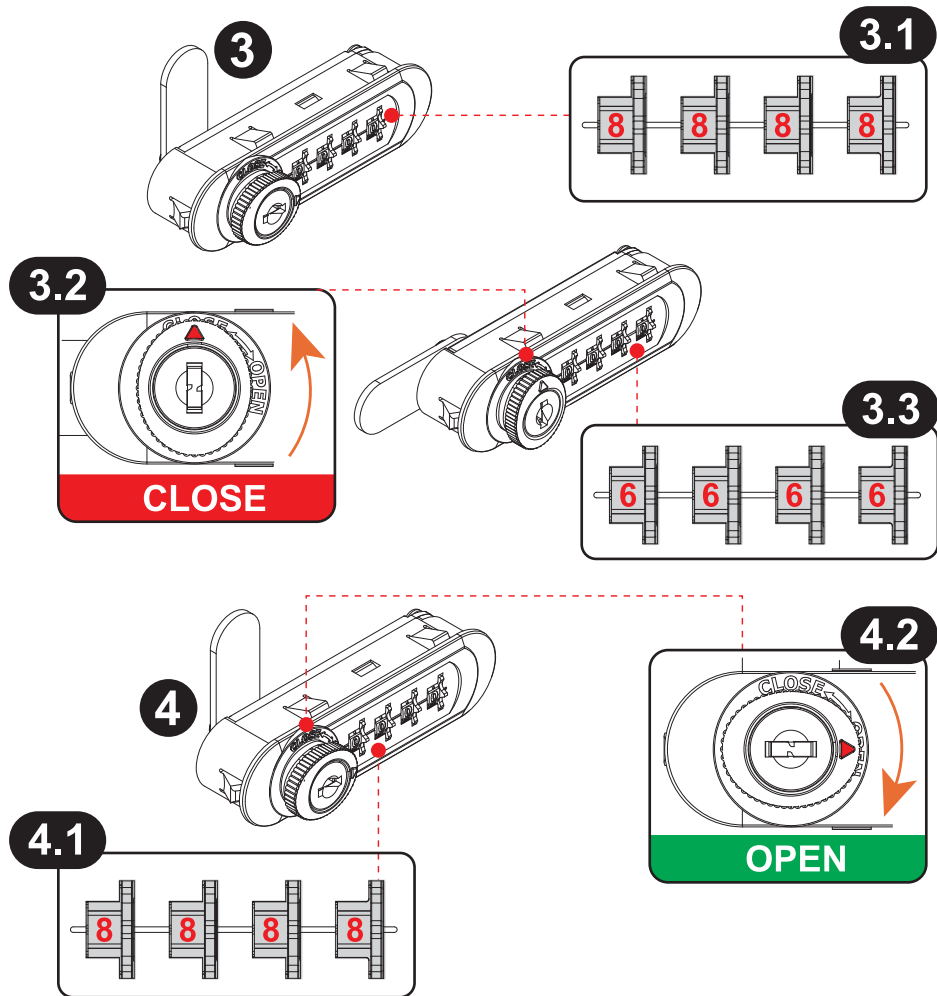


2.3 Rotate the knob to CLOSE position

2.4 Slide the swap button to 1. PERSONAL

2.5 Rotate the knob back to OPEN position to complete the process.

Remarks: Remove the cam if it obstructs the swap button.



3. IN ORDER TO LOCK

3.1 Turn the dials to the set code,
e.g 8-8-8-8

3.2 Rotate the knob to CLOSE position

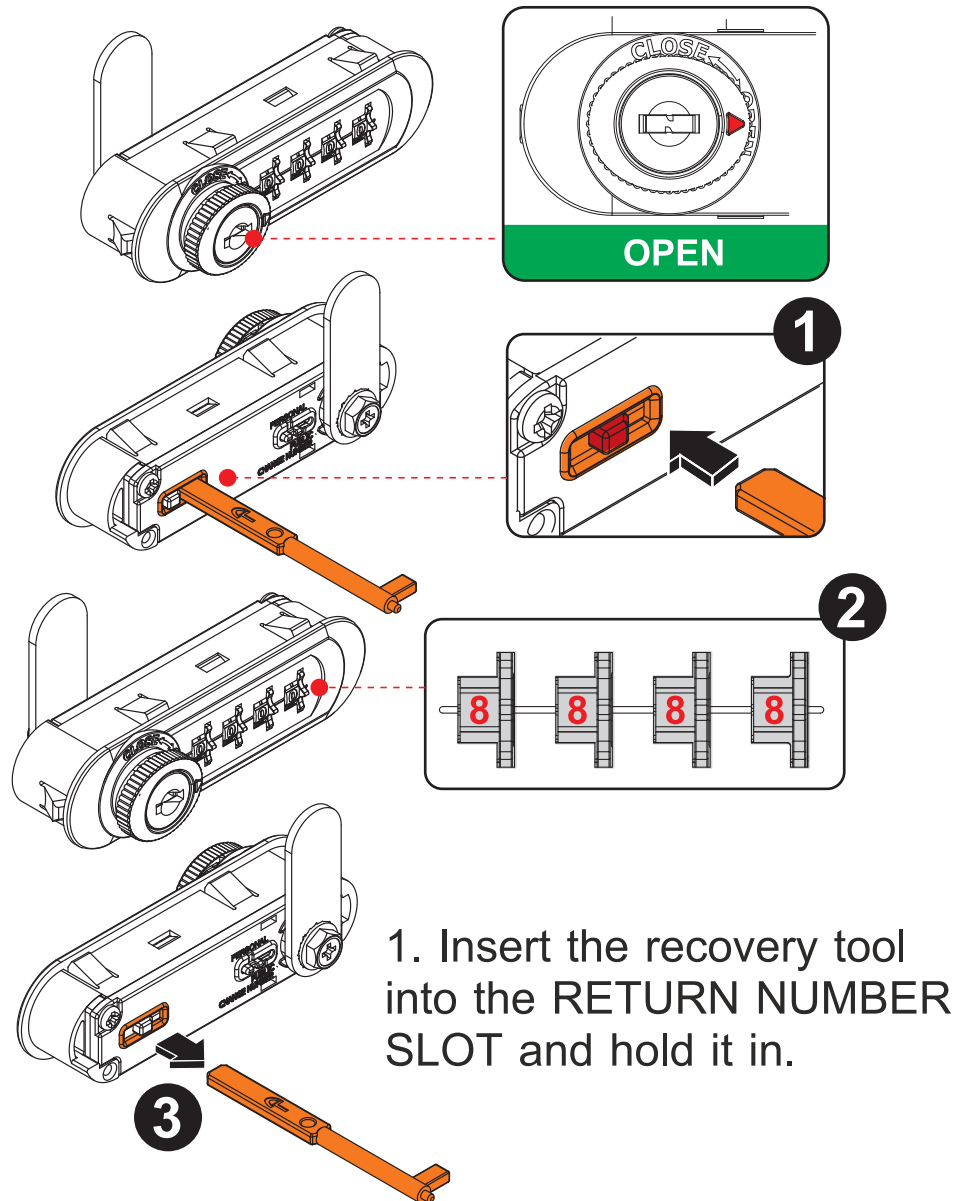
3.3 Turn the dials to any number for locking.

4. IN ORDER TO UNLOCK

4.1 Turn the dials to the previously set
secret code, e.g 8-8-8-8

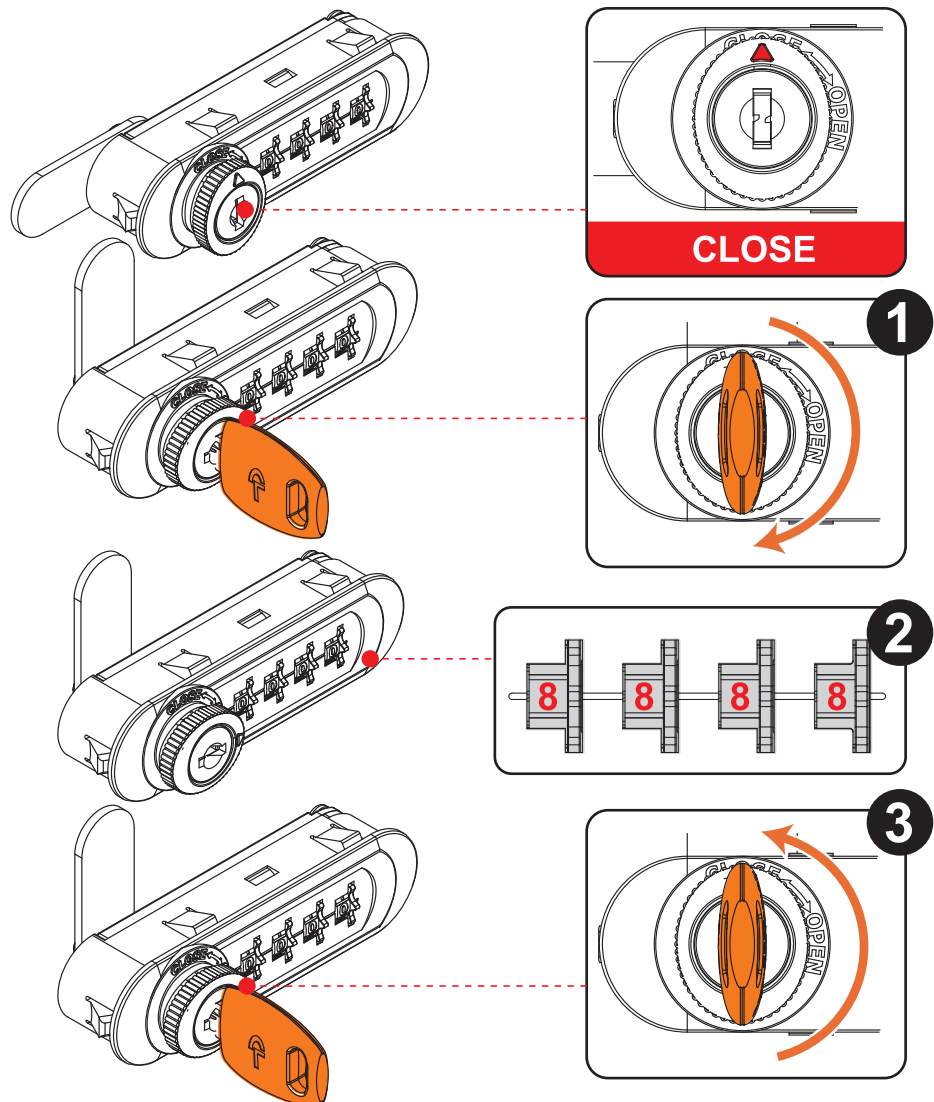
4.2 Rotate the knob to OPEN position

1 WHEN THE LOCK IS IN OPEN POSITION

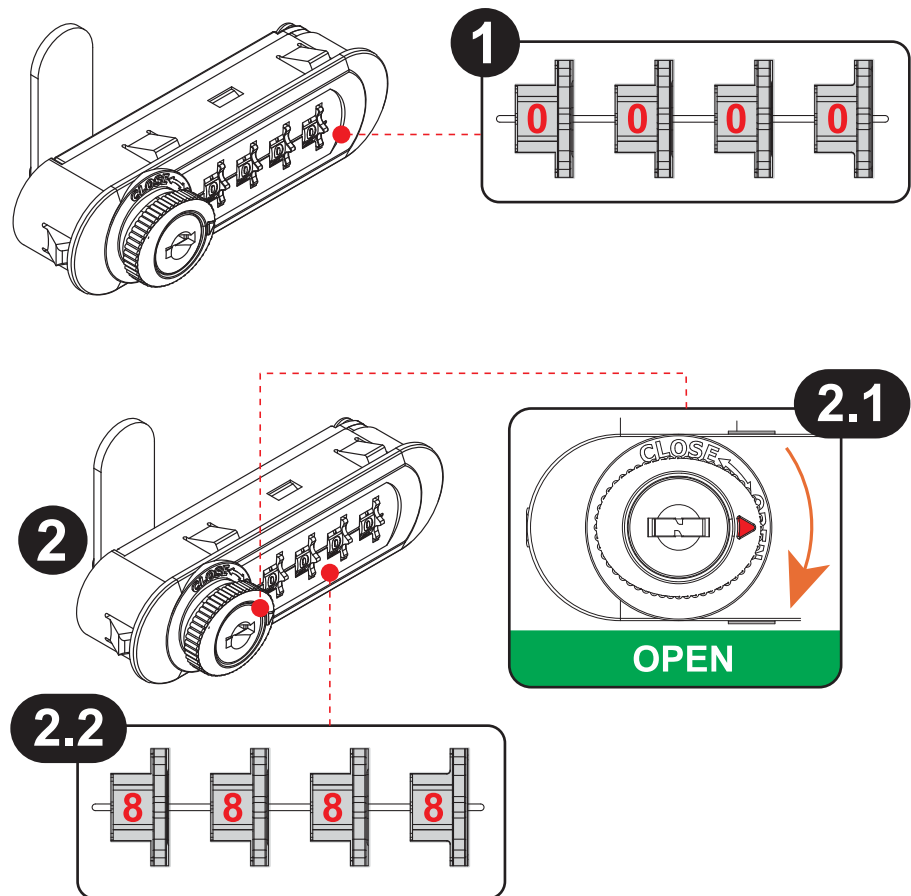


2. Turn each of the dials until it cannot move (all four dials) to recover the secret code.
3. Pull the tool out of the slot. The lock can now be used normally.

2 WHEN THE LOCK IS LOCKED



1. Insert the recovery key into the knob and rotate it clockwise until it stops.
2. Turn each of the dials until it cannot move anymore (all four dials) to recover the secret code.
3. Rotate the key counter-clockwise until it stops and pull the key out. Lock can now be used normally.

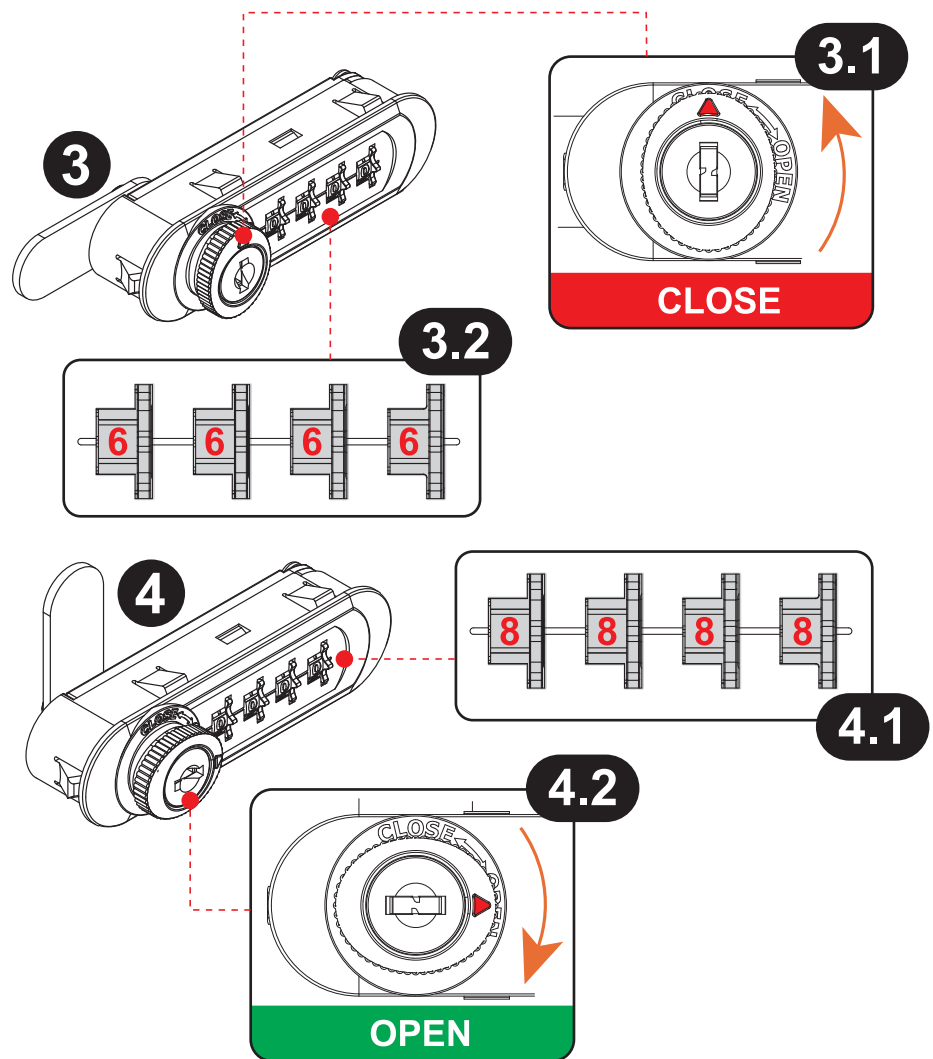


1. The factory preset code is 0-0-0-0

2. To change the secret code

2.1 Rotate the knob to OPEN position

2.2 The new secret code can be reset,
e.g 8-8-8-8. Process is complete.



3. In order to LOCK

3.1 Rotate the knob to CLOSE position.

3.2 Turn the dials to any number for locking.

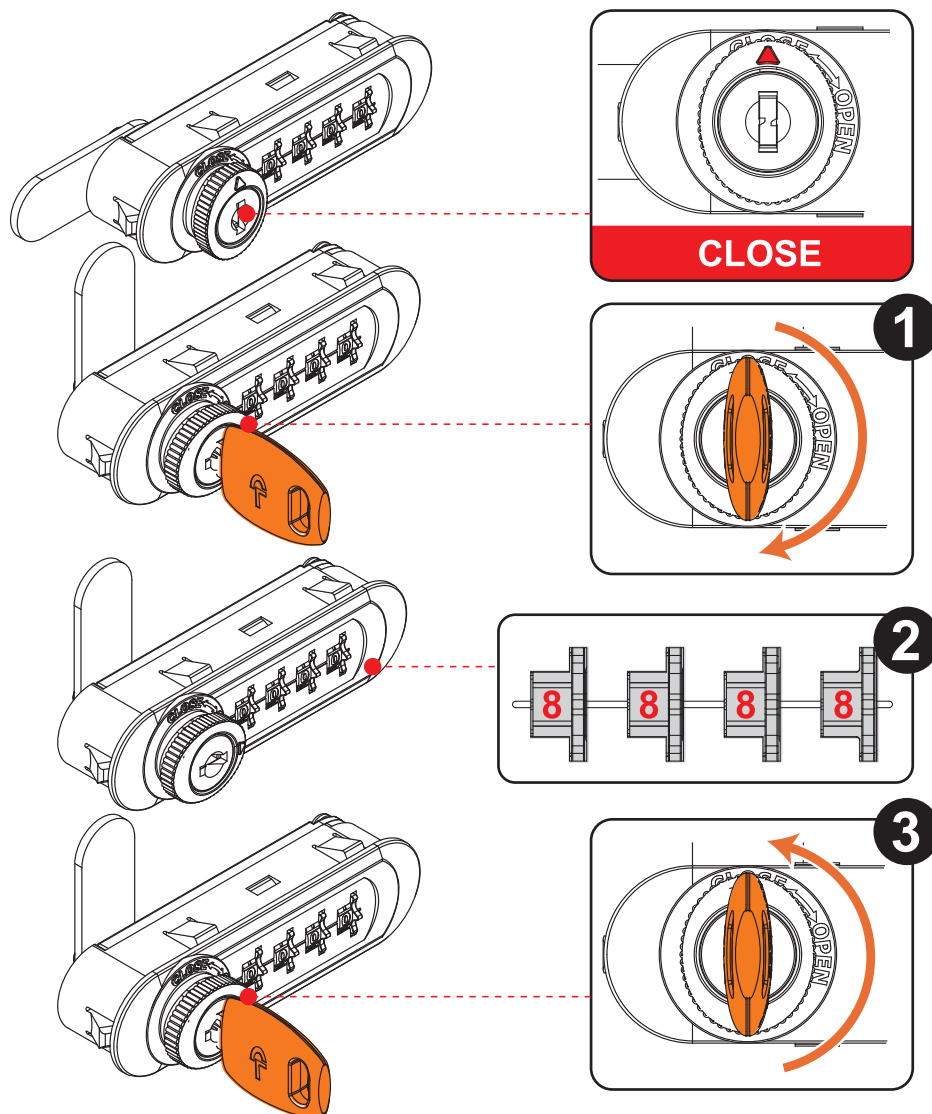
4. In order to UNLOCK

4.1 Turn the dials to previously set secret code, e.g 8-8-8-8

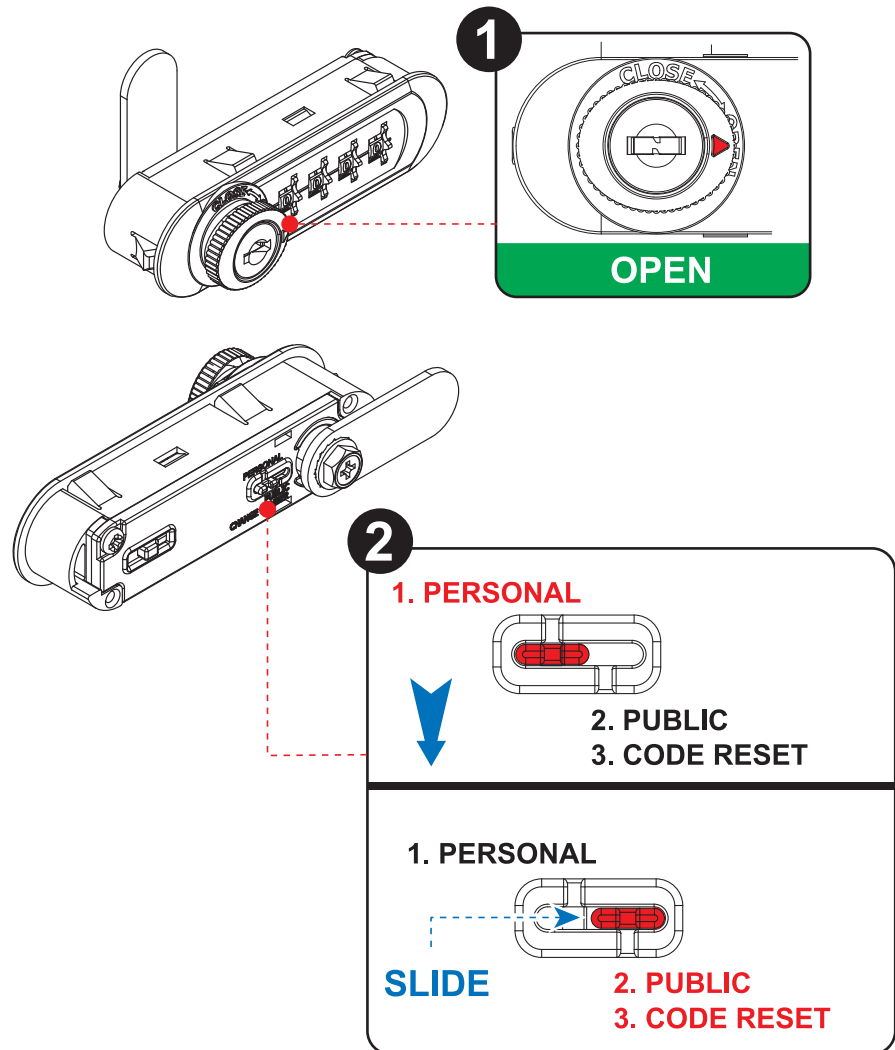
4.2 Rotate the knob to OPEN position.

Remarks: The secret code for COMBI-PUBLIC can be reset when the lock is in OPEN position.

▶ WHEN THE LOCK IS LOCKED

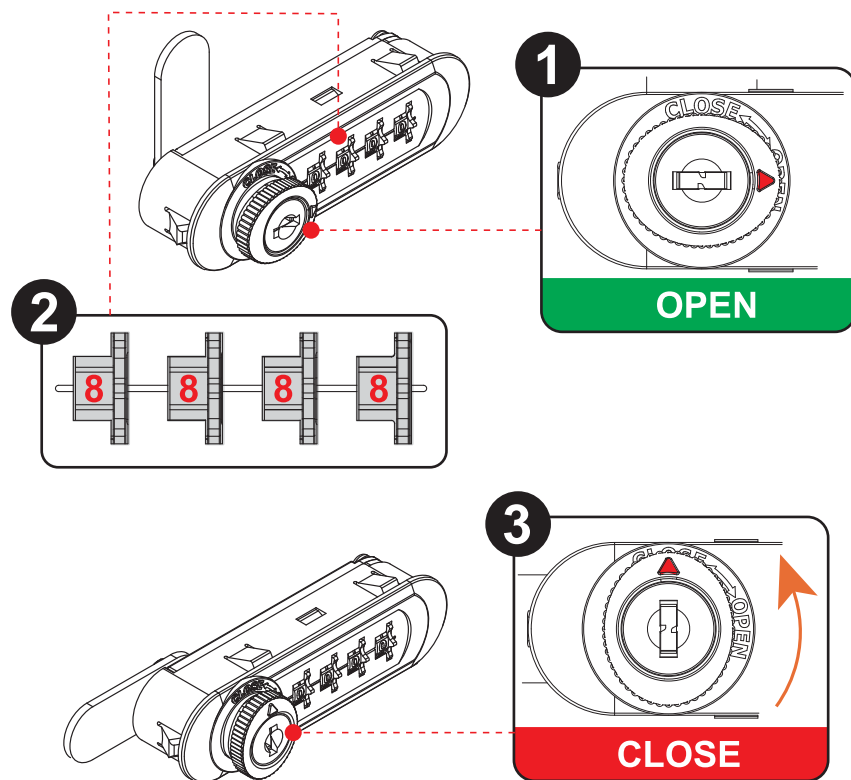


1. Insert the recovery key into the knob and rotate it clockwise until it stops.
2. Turn each of the dials until it cannot move (all four dials) to recover the forgotten secret code.
3. Rotate the key counter-clockwise until it stops and pull the key out. The lock can now be used normally.

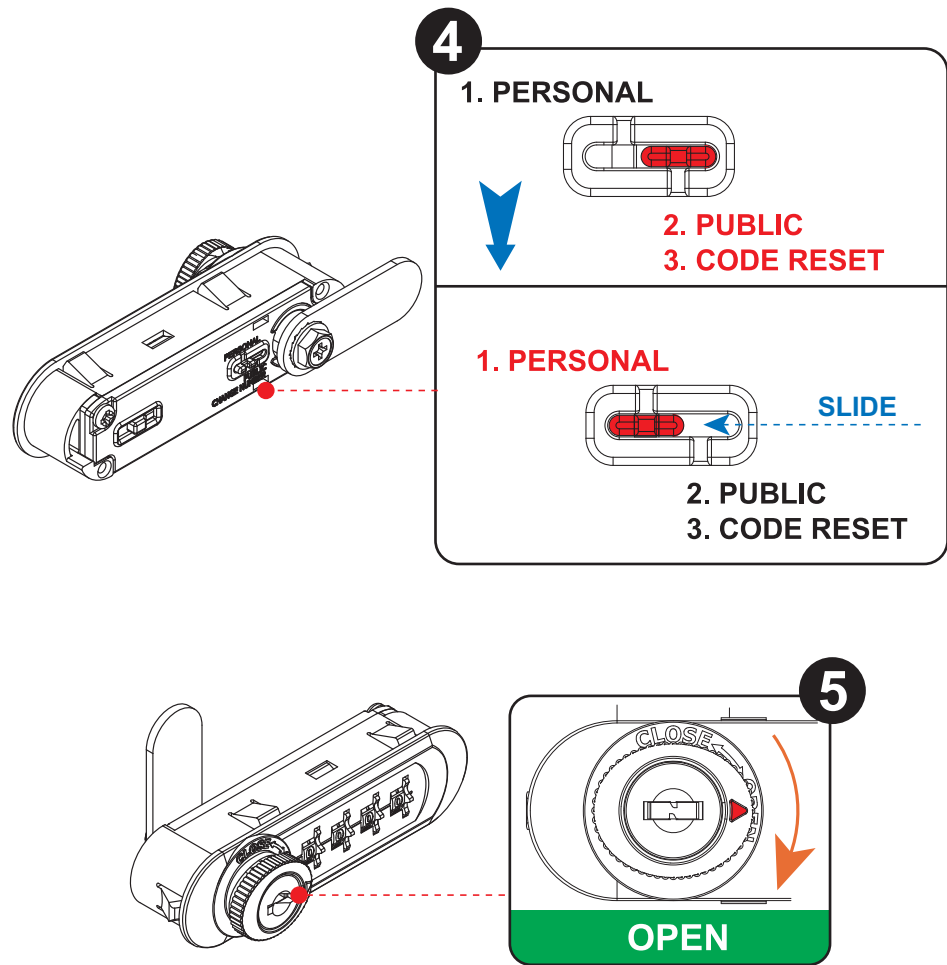


1. The lock is in OPEN position
2. Slide the swap button to 2. PUBLIC to change the function to COMBI-PUBLIC.

Remarks: Remove the cam if it obstructs the swap button.



1. The lock is in OPEN position
2. The secret code can be reset right away,
e.g 8-8-8-8
3. Rotate the knob to CLOSE position.



4. Slide the swap button to 1. PERSONAL.

5. Rotate the knob to OPEN position to change the function to COMBI PERSONAL.

Remarks: Remove the cam if it obstructs the swap button.