

# Tendo

## STORAGE SYSTEM

Design Juha Lätti

The Tendo storage furniture offers storage solutions ranging from small sets of drawers to extensive cabinet set-ups. The available features include roller shutters and sliding doors, paper trays and pigeonholes, cabinets with glass doors and open shelves. The efficiently dimensioned modules can be combined into functional set-ups in a variety of spaces. The Tendo series has a sleek, timeless look. The material choices and optional accessories help to create purposeful solutions to meet client needs.

### Materials and finishing

Frame and shelves	ISKU standard furniture board (white, light grey, dark grey or black); natural birch, beech, oak and ash; stained beech or ash
Plinth	light grey, dark grey, white
Metal legs	light grey
Castors	light grey (plastic), lockable
Handles	black, silver, chrome, white



# Tendo

## STORAGE TOWER

Design Juha Lätti

A rekey-able lock is part of the standard equipment. Accessories: CD rack, drawers, file rack, file support. Notice board and upholstered back panel. Toolbar is available as an accessory for the top shelf. The toolbar system includes a wide range of accessories that help to create a pleasant and functional workstation, for example a magazine container, document holder, CD shelf and shelves. The storage tower can be supplied with a noticeboard, or upholstered background.

### Materials and finishing

Frame, doors & shelves ISKU standard furniture board (white, light grey, dark grey or black); natural birch, beech, oak and ash; stained beech or ash

Plinth colour light grey, dark grey, white

### Dimensions

Width 80/90 cm

Depth 45 cm

Height 126 cm

Notice board 88x50x1 cm



# Tendo

## SLIDING DOOR CABINET

Design Juha Lätti

The Tendo sliding door cabinets are always a functional interior decoration solution. Thanks to the modular structure, the sliding door cabinets can be flexibly arranged into various heights and widths, according to the purpose of use.

### Materials and finishing

Frame, doors & shelves ISKU standard furniture board (white, light grey, dark grey or black); natural birch, beech, oak and ash; stained beech or ash

Plinth colour light grey, dark grey, white

### Dimensions

Width 80 cm/120 cm

Depth 43 cm

Heights 87 cm (with 2 shelves)

126 cm (with 3 shelves)



# Tendo

## SHELF CABINET

Design Juha Lätti

Tendo storage furniture forms a uniform collection of furniture with clear, modern lines. With its diverse range of efficient modular dimensions, Tendo makes it possible to create effective, practical storage solutions. The shelves can be provided with glazed or solid doors.

The lower cabinet (heights 49, 87 and 126 cm) are available with either a base, adjustable legs or wheels. The higher ones are available with either a base or adjustable legs.

### Materials and finishing

Frame, doors & shelves ISKU standard furniture board (white, light grey, dark grey or black); natural birch, beech, oak and ash; stained beech or ash

Plinth colour light grey, dark grey, white

### Dimensions

Width 40/60/80/120 cm  
Depth 43 cm  
Heights 87 cm (2 shelves)  
126 cm (3 shelves)  
164 cm (4 shelves)  
202 cm (5 shelves)



# Tendo

## DOOR CABINET

Design Juha Lätti

Tendo storage furniture forms a uniform collection of furniture with clear, modern lines. With its diverse range of efficient modular dimensions, Tendo makes it possible to create effective, practical storage solutions. The shelves can be provided with glazed or solid doors.

The lower cabinet (heights 49, 87 and 126 cm) are available with either a base, adjustable legs or wheels. The higher ones are available with either a base or adjustable legs.

### Materials and finishing

Frame, doors & shelves ISKU standard furniture board (white, light grey, dark grey or black); natural birch, beech, oak and ash; stained beech or ash

Plinth colour light grey, dark grey, white

### Dimensions

Width	40/60/80/120 cm
Depth	43 cm
Height	87 cm (2 shelves)
	126 cm (3 shelves)
	164 cm (4 shelves)
	202 cm (5 shelves)



# Tendo

## ROLL-FRONT CABINET

Design Juha Lätti

The wide selection of roll-front doors in the Tendo series puts the finishing touches on the interior design of a work environment. The roll-front doors can be used to implement visually impressive combinations that ensure excellent functionality even in narrow spaces. The range includes both horizontal and vertical roll-fronts.

The 49, 73, 87 and 126 cm heights can be supplied with a base, legs or wheels. The 164 and 202 cm can be supplied with a base or adjustable legs.

### Materials and finishing

**Frame, doors and shelves:** natural birch, beech, oak, ash, stained beech, stained ash, white, light grey, dark grey and black melamine. **Doors:** white or light grey roll-front doors in plastic. **Shelves:** the shelves behind the doors are light grey melamine. **Handles:** light grey plastic handles.

**Plinth colour:** light grey, dark grey, white

### Dimensions

Roll-front with horizontal roll-fronts

Width: 80 and 120 cm.

Depth: 43 cm.

Cabinet height: 87, 126, 164, 202 cm.

Roll-front door height: 2- or 3- files.

Roll-front with vertical roll-fronts

Width: 80 cm.

Depth: 43 cm.

Cabinet height: 49, 73, 87, 126, 164, 202 cm.

Roll-front door height: 1- or 2-files.



# Tendo

## MOBILE CABINET

Design Juha Lätti

The Tendo storage furniture offers storage solutions ranging from small sets of drawers to extensive cabinet set-ups. The efficiently dimensioned modules can be combined into functional set-ups in a variety of spaces.

Tendo mobile cabinet is a flexible and space-saving sharing solution to shared office spaces. It moves easily with its user and it can be parked anywhere.

### Materials and finishing

Frame	white melamine
Door	roll-front with vertical roll-fronts of white plastic.

Tendo Mobile is equipped with castors and metal handle

### Dimensions

Width	60 cm
Depth	45 cm
Height	126 cm





# Tendo Mobile



# Tendo AV

## CABINET

Design Juha Lätti

The Tendo 400 and 800 mm wide cabinets can be fitted with elevated table tops to increase their height to suit presentation and performance purposes. These units can be used as a speaker's stand in conference and lecture rooms, as AV stands and for storage.

The units are on castors making them easy to move around. As an accessory upholstered back with ISKU standard screen fabrics.

### Materials and finishing

Cabinet	Standard ISKU melamine and natural veneers, stained beech and stained ash colours.
Elevated top	Light grey and white or any of standard ISKU natural veneers and stained beech
Door	Standard door with the frame colour or roll-front door (light grey).

### Dimensions

Width	400/800 mm
Depth	Cabinet 426 mm. Overall depth according to the selected top.
Height	1038 mm

More information on the Datasheet.



# Tendo AV

CABINET

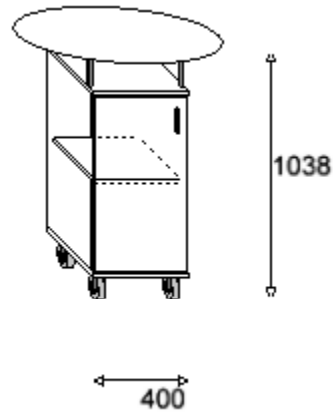
Datasheet



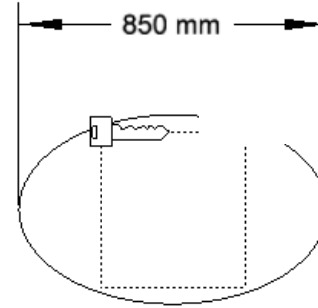
Upholstered backpanel

Handles as per the choice:  
black, silver, chrome or white.

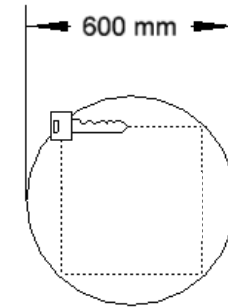
Table top mounting bracket is silver, and its height is 14 cm.



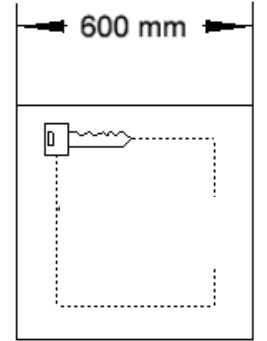
Elevated tops for 400mm cabinet



Top C1

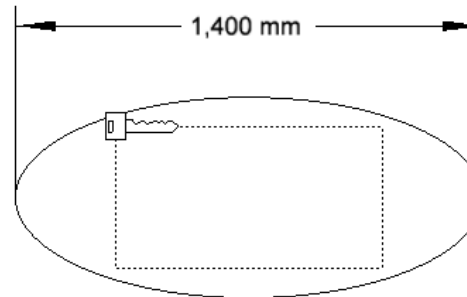
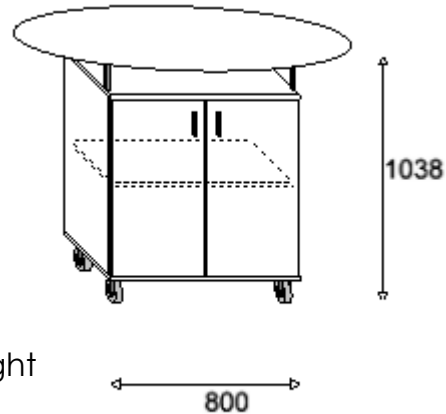


Top O6



Top B6

Elevated top for 800mm cabinet



Top C2

# Tendo


## STORAGE UNIT

### Dimensions

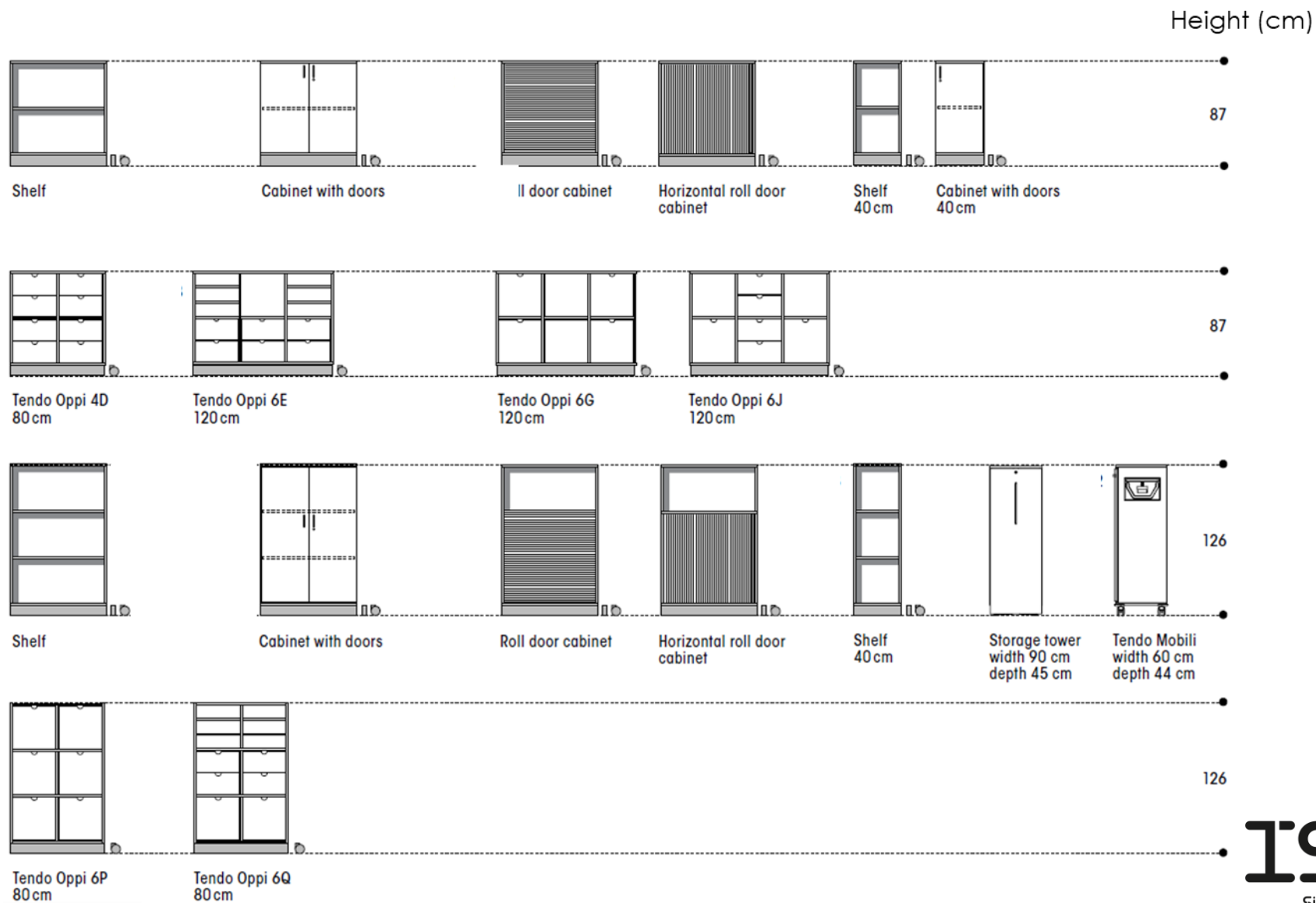
Tendo elements with the depth of 430 mm, and plinth base as a default.

The width of the cabinets is 800 mm, unless otherwise indicated.

### Symbols:

 Storage unit available also with legs or castors.

 Storage unit offered also with legs, no castors available.



# Tendo


## STORAGE UNIT

### Dimensions

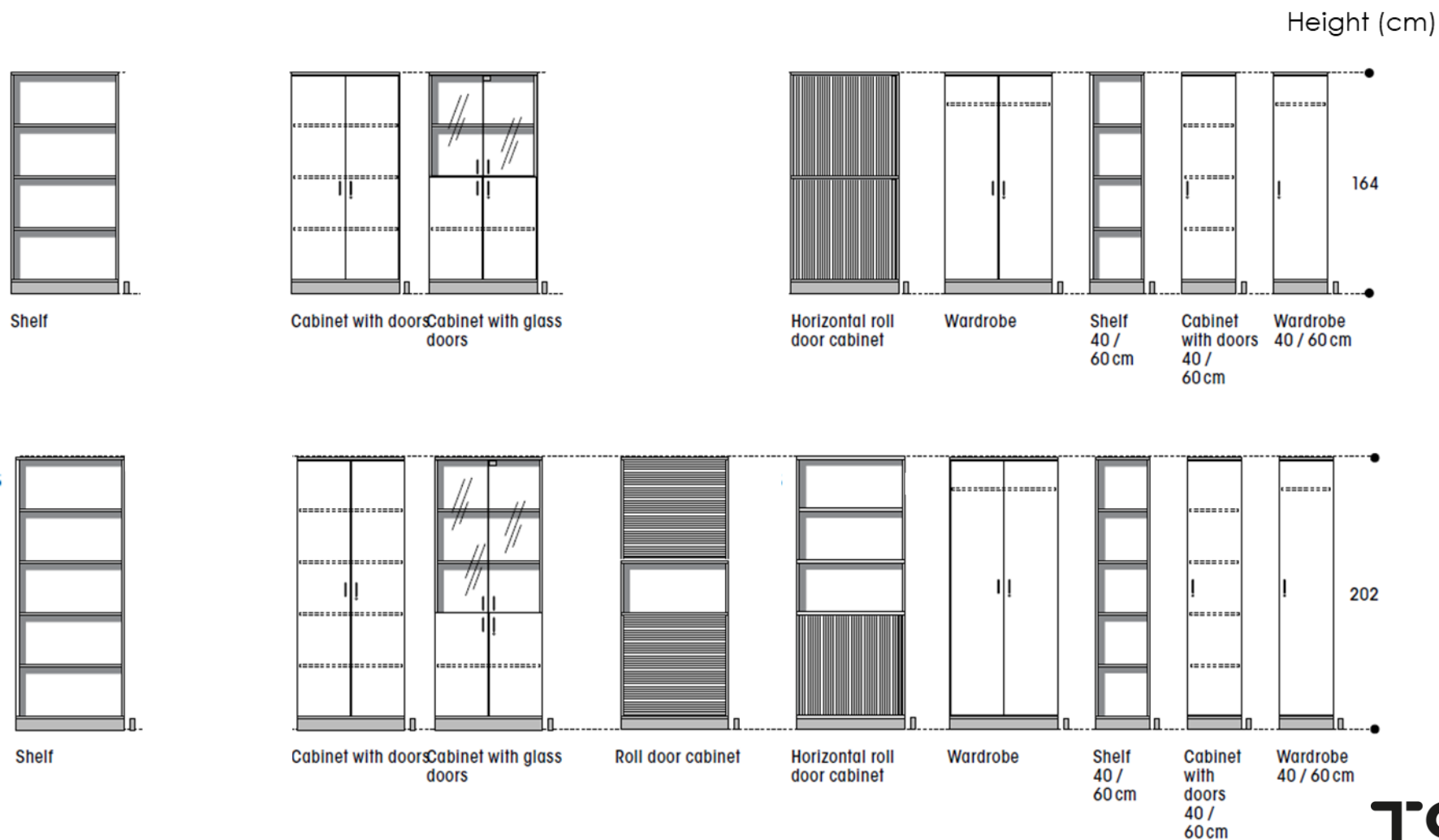
Tendo elements with the depth of 430 mm, and plinth base as a default.

The width of the cabinets is 800 mm, unless otherwise indicated.

### Symbols:

 Storage unit available also with legs or castors.

 Storage unit offered also with legs, no castors available.



# Tendo


## STORAGE UNIT

### Dimensions

Tendo elements with the depth of 430 mm, and plinth base as a default.

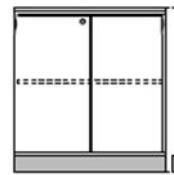
The width of the cabinets is 800 mm, unless otherwise indicated.

#### Symbols:

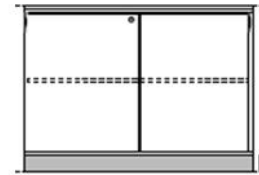
 Storage unit available also with legs or castors.

 Storage unit offered also with legs, no castors available.

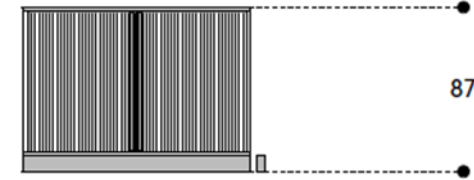
Height (cm)



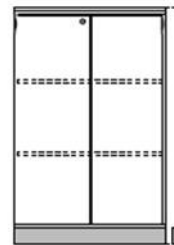
Sliding door cabinet



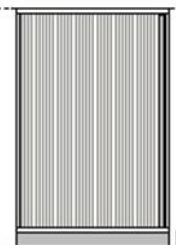
Sliding door cabinet 120 cm



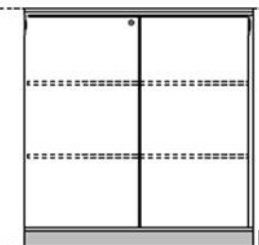
Horizontal roll door cabinet 120 cm



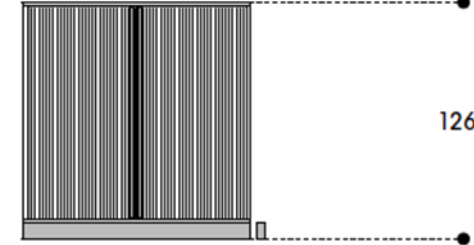
Sliding door cabinet



Horizontal roll door cabinet



Sliding door cabinet 120 cm



Horizontal roll door cabinet 120 cm

87

126

# Tendo Oppi

## STORAGE UNIT

Design Juha Lähti

The versatile Tendo Oppi range includes various storage options for learning and office spaces. The storage units also serve as space dividers and can be equipped with upholstered back panels that may be used as attachment surfaces. The storage units are available with either plinth, legs or lockable castors.

Tendo Oppi is available also with upholstered back panel.

### Materials and finishing

Frame, doors and shelves

natural birch, beech, oak, ash, stained beech,  
stained ash, white, light grey, dark grey and black

Doors/drawer-fronts painted MDF ● ○ ● ● ● ●

Plinth colour light grey, dark grey, white

### Dimensions

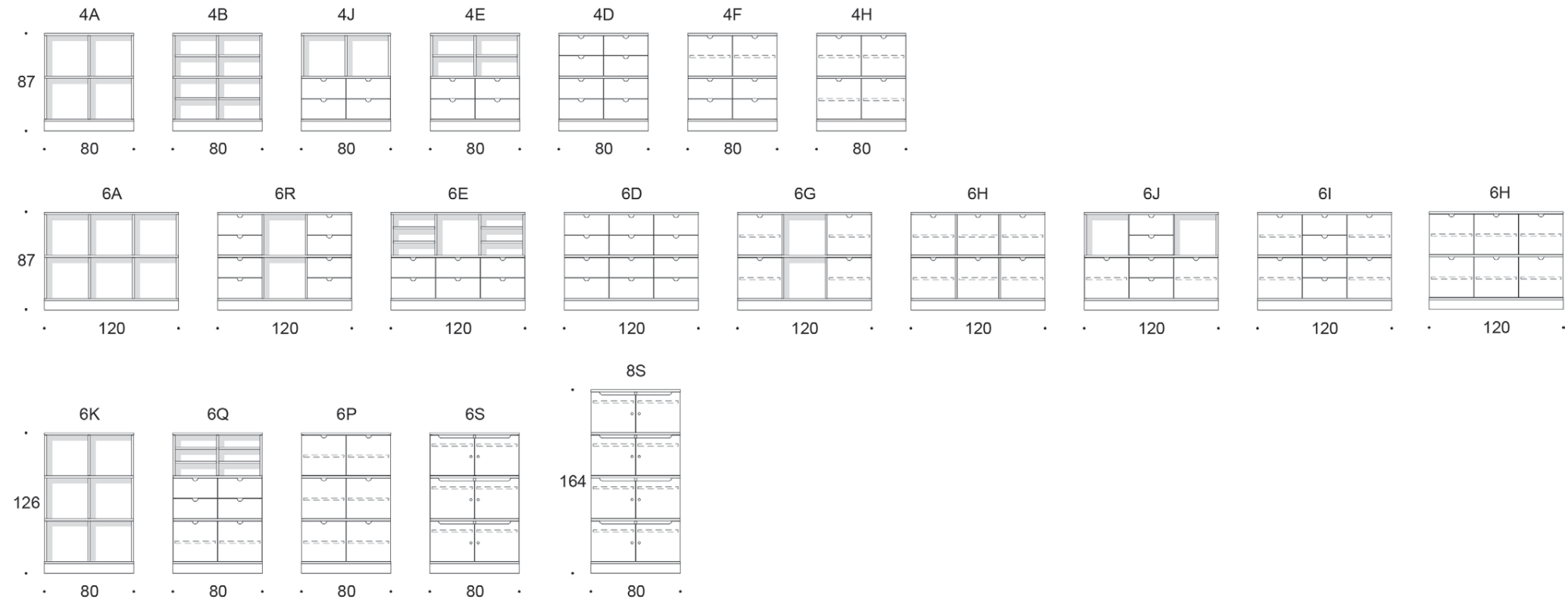
The dimensions are specified as per the models on the datasheet.



# Tendo Oppi

STORAGE UNIT

Dimensions





Tendo Oppi

**ISKU**  
Since 1928





Tendo Oppi

ISKU  
Since 1928

Tendo



**ISKU**  
Since 1928



Tendo

**ISKU**  
Since 1928



Tendo

**ISKU**  
Since 1928