

Kaari

SOFA SYSTEM

Design Henri Halla-aho

With the he elegantly designed sofa modules in the Kaari series you can create inventive discussion and working areas to open-plan spaces. Kaari can be used either to create peaceful closed groups or continuing architectural shapes by combining straight and curved elements.

The modular structure of the Kaari sofa consists of seats dimensioned for the efficient use of space, upon which the backrest and screen elements are built.

Materials and finishing

Legs	Powder coated metal (silver, graphite gray, black and white)
Upholstery	Fixed fabric upholstery.

Dimensions

Width	For more measures, see the datasheet.
Depth	
Height	

Seating height 440 mm.

Video



SCAN ME



ISKU
Since 1928

Kaari

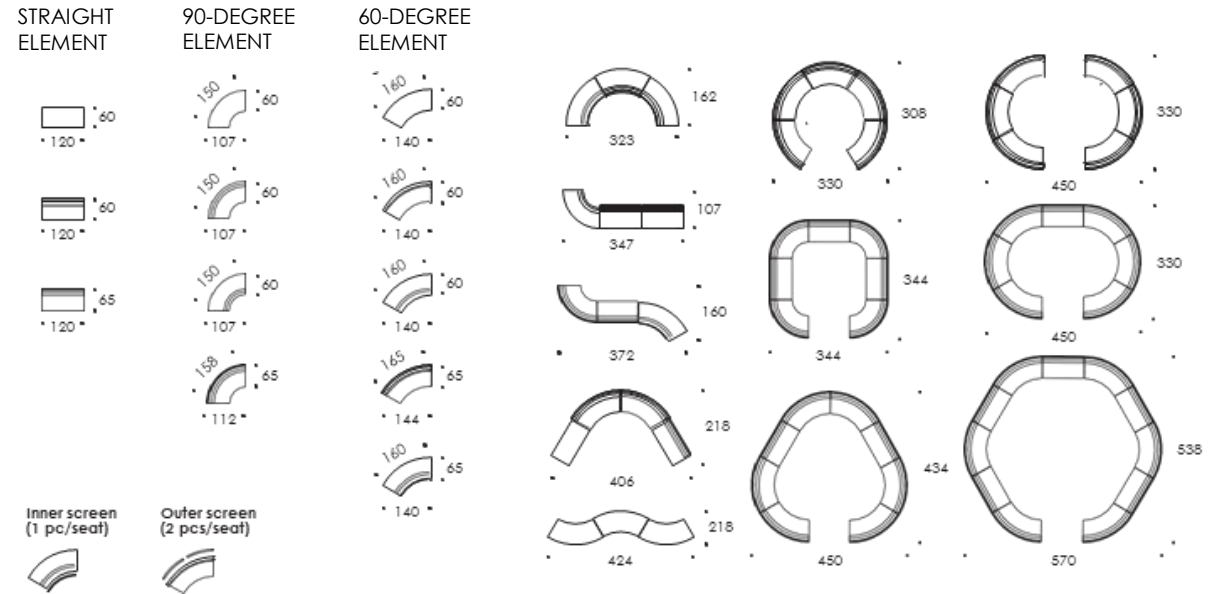
SOFA SYSTEM

Datasheet

The elements include straight seat, inner and outer curves with backrests and screens.

Screens available with two different heights 1300mm or 1800mm.

Screens can be built in two different heights and are available with two-color upholstery.



Kaari



Kaari

FLOOR SCREEN

Design Henri Halla-aho

The Kaari floor screen provides visual protection as well as improves the acoustics of the space. Upholstered in one or two colours. Can be equipped with wheels.

Part of Kaari modular sofa family.

Available with antimicrobial fabrics.

Materials and finishing

Legs	Powder coated metal (silver, graphite gray, black and white)
Upholstery	Fabrics from ISKU standard collection.
Accessories	Kaari white board (two sizes), coat hook.

Dimensions

Width	1200 mm
Depth	45mm, with leg 360mm / 390mm with castored leg
Height	1300 mm / 1800 mm
	* Screens can be built in two different heights





Kaari floor screen