

ISKU Control Rooms



ISKU Control Room Consoles are a backbone for our 24/7 workstation concept that are carefully tailored for the purpose and specified needs of our customers. It is a holistic concept that suits various workstations and spaces. It focuses on around-a-clock environment of comfort, ergonomics, safety and efficiency.

Directus 200

CONTROL ROOM CONSOLE V0149 200

Design by ISKU

ISKU control room consoles are designed for the multi-user environments operating 24/7. The design enables ultimate functionality by providing ergonomic adjustability and efficient technology management to meet the user-specific needs.

Thanks to the shape and dimensions, Directus 200 is especially suitable for smaller spaces where maximum functionality is required.

Materials and finishing

Table top	Bi-level, antimicrobial high-pressure (HPL) laminate (white or light grey)
Frame	Powder-coated steel (grey RAL 9006)
Front panel	Veneered perforated MDF board (light grey)
Accessories	Screen holder, cable routing equipment and Bi-Box for power distribution

Dimensions

Width	2000 mm
Depth	1000 mm
Height	595 - 1245 mm

Dimensional drawing is available on the Directus 200 Datasheet.



Directus 200

CONTROL ROOM CONSOLE V0149 200

Datasheet



Accessories

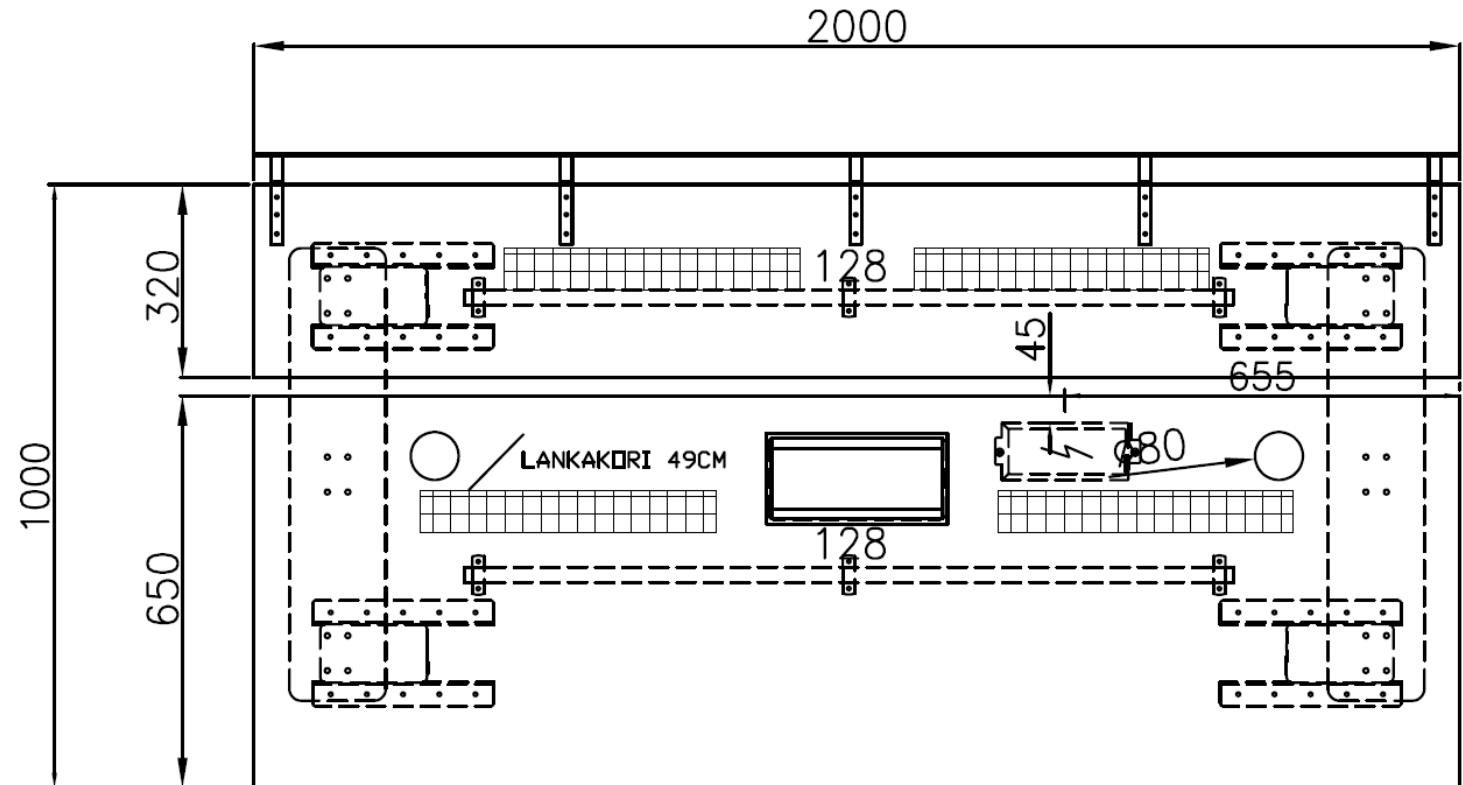
Screen holder

Cable routing equipment

Bi-Box for power distribution with two optional inlays:

- 2 x schuko, 1 x RJ45, 1 x VGA, 1 x HDMI
- 3 x schuko, 2 x RJ45

Dimensional drawing



Directus 300

CONTROL ROOM CONSOLE V0149 300

Design by ISKU

ISKU control room consoles are designed for the multi-user environments operating 24/7. The design enables ultimate functionality by providing ergonomic adjustability and efficient technology management to meet the user-specific needs.

The Directus 300 is a robust solution for spaces where a rectangular control table is required.

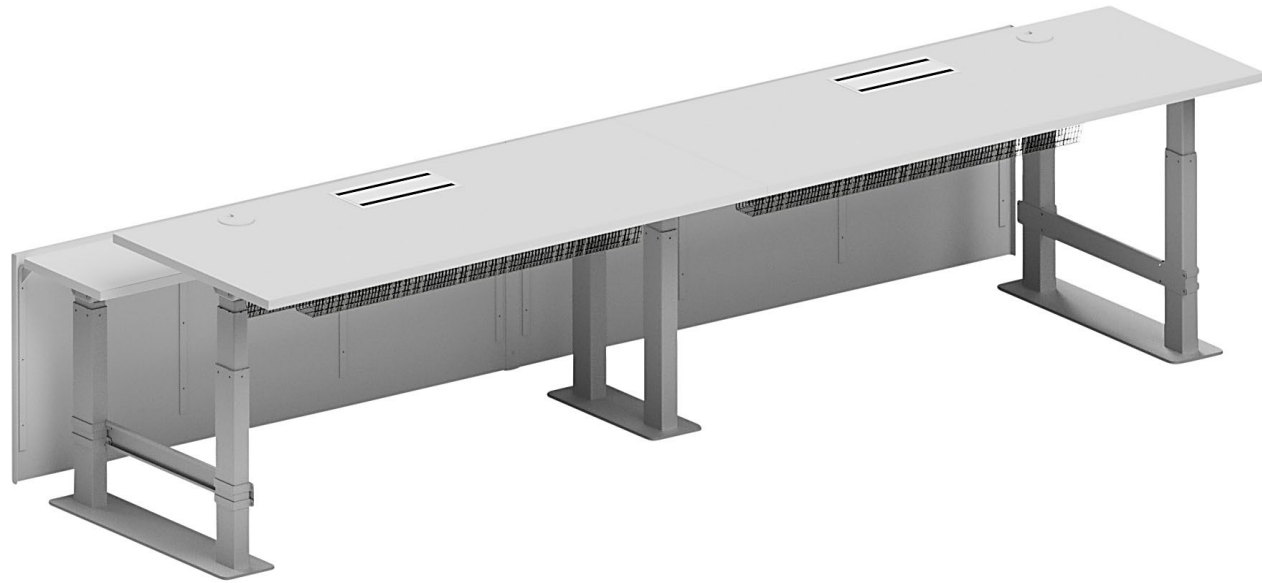
Materials and finishing

Table top	Bi-level, antimicrobial high-pressure (HPL) laminate (white or light grey)
Frame	Powder-coated steel (grey RAL 9006)
Front panel	Veneered perforated MDF board (light grey)
Accessories	Screen holder, cable routing equipment and Bi-Box for power distribution

Dimensions

Width	3000 mm
Depth	1000 mm
Height	595 - 1245 mm

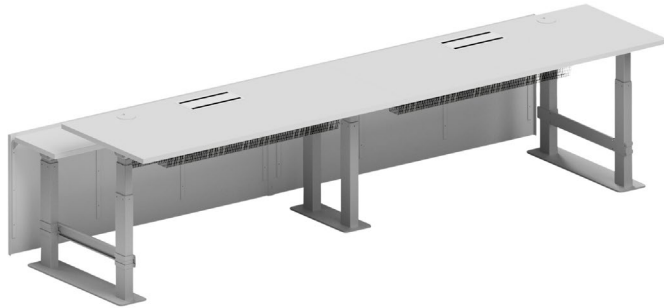
Dimensional drawing is available on the Directus 300 Datasheet.



Directus 300

CONTROL ROOM CONSOLE V0149 300

Datasheet



Accessories

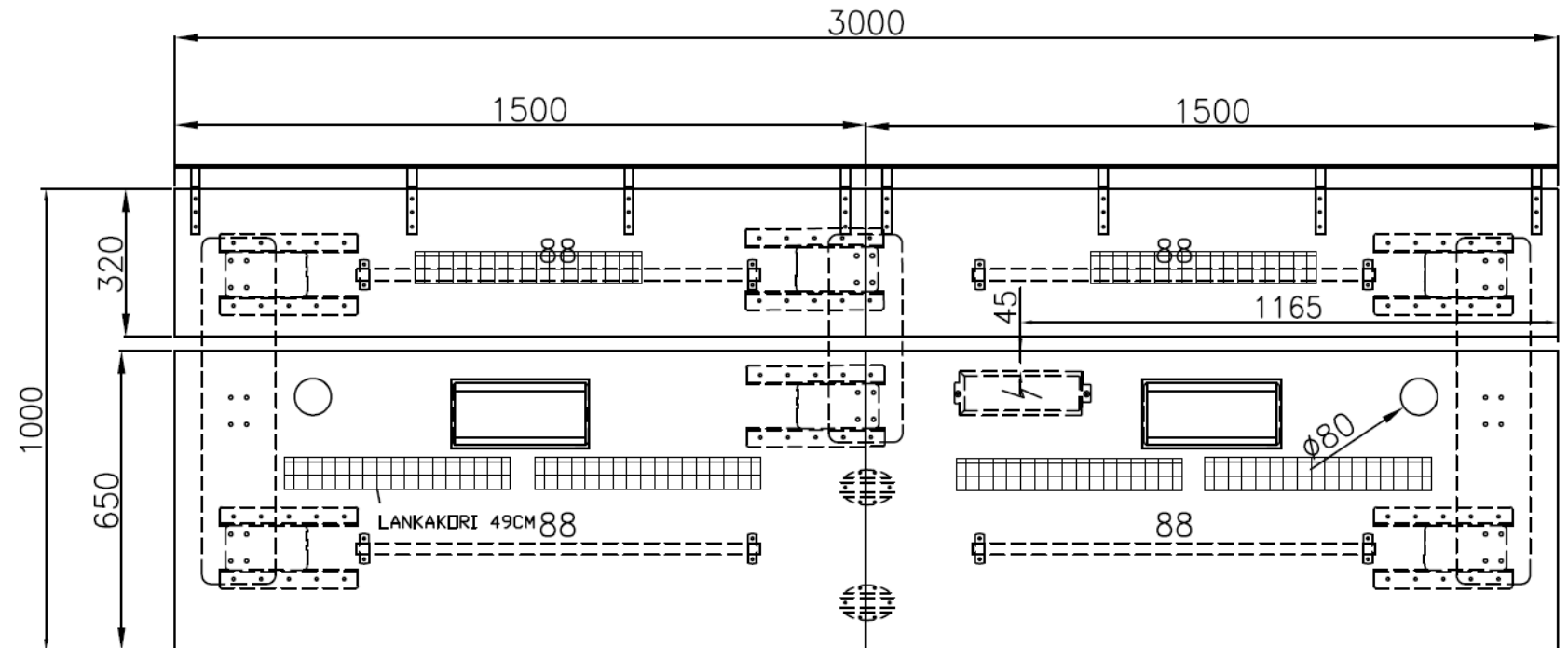
Screen holder

Cable routing equipment

Bi-Box for power distribution with two optional inlays:

- 2 x schuko, 1 x RJ45, 1 x VGA, 1 x HDMI
- 3 x schuko, 2 x RJ45

Dimensional drawing



Arcus 260

CONTROL ROOM CONSOLE V0150 260

Design by ISKU

ISKU control room consoles are designed for the multi-user environments operating 24/7. The design enables ultimate functionality by providing ergonomic adjustability and efficient technology management to meet the user-specific needs.

Arcus 260 is designed for circular workspace arrangements enabling solution configured according to the space and needs. By combining several modules, large curved control rooms can be easily built.

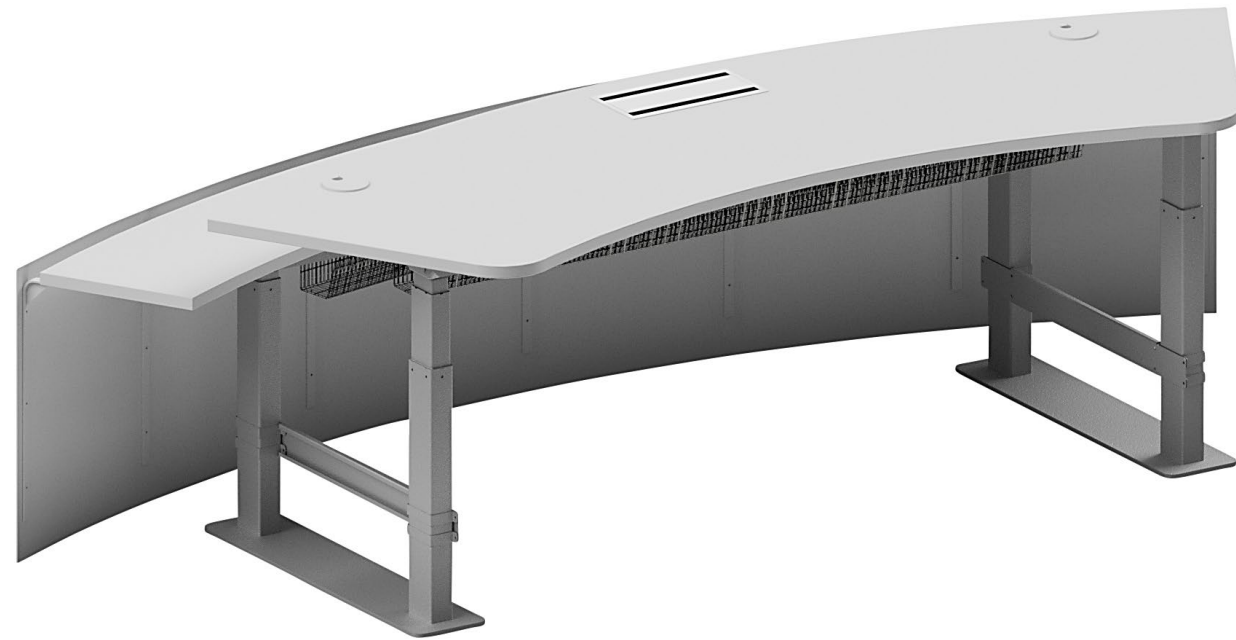
Materials and finishing

Table top	Bi-level, antimicrobial high-pressure (HPL) laminate (white or light grey)
Frame	Powder-coated steel (grey RAL 9006)
Front panel	Veneered perforated MDF board (light grey)
Accessories	Screen holder, cable routing equipment and Bi-Box for power distribution

Dimensions

Width	2600 mm
Depth	1180 mm
Height	595 - 1245 mm

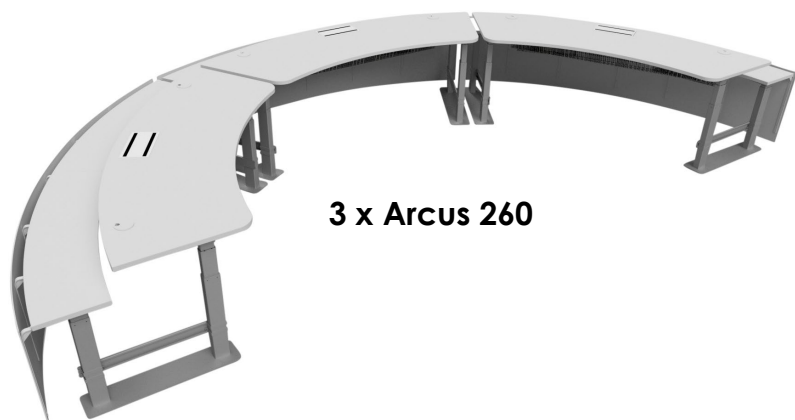
Dimensional drawing is available on the Arcus 260 Datasheet.



Arcus 260

CONTROL ROOM CONSOLE V0150 260

Datasheet



Accessories

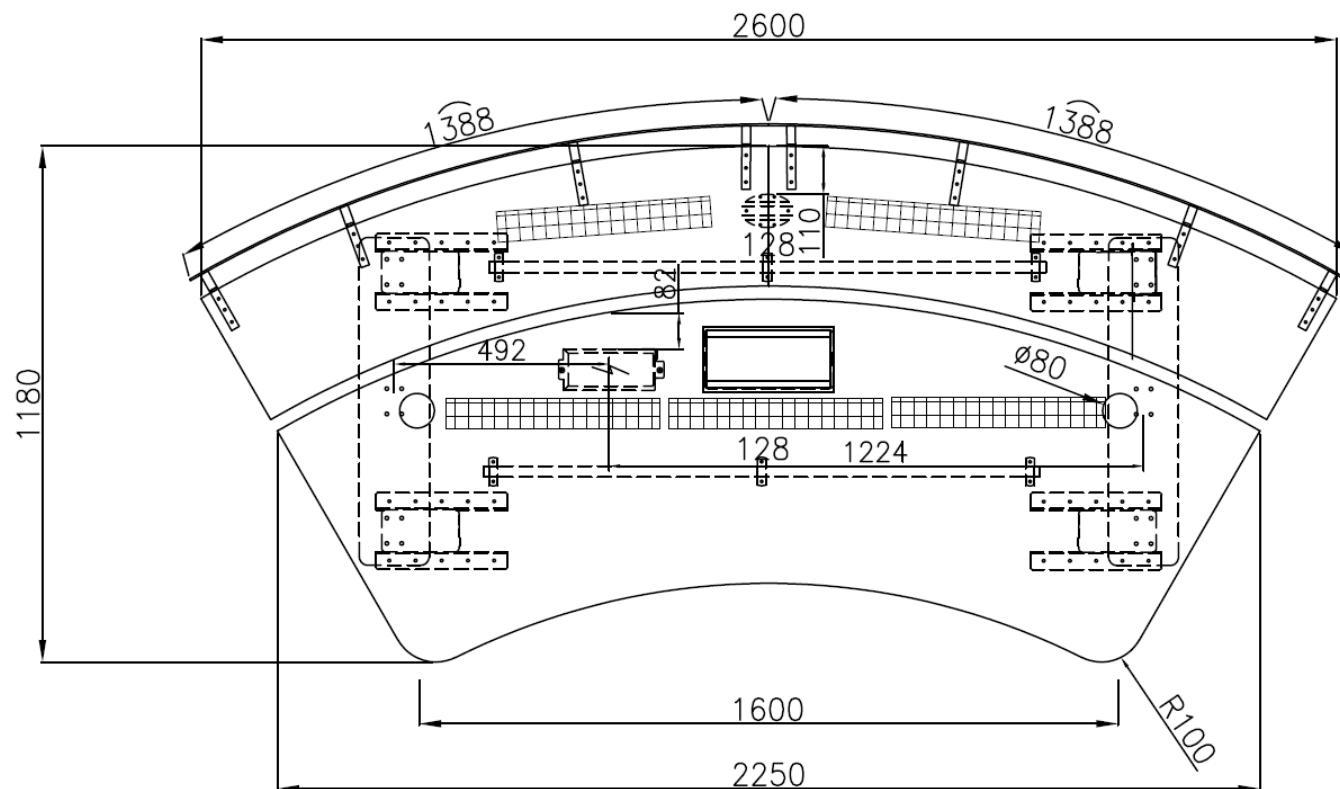
Screen holder

Cable routing equipment

Bi-Box for power distribution with two optional inlays:

- 2 x schuko, 1 x RJ45, 1 x VGA, 1 x HDMI
- 3 x schuko, 2 x RJ45

Dimensional drawing



Arcus 450

CONTROL ROOM CONSOLE V0151 450

Design by ISKU

ISKU control room consoles are designed for the multi-user environments operating 24/7. The design enables ultimate functionality by providing ergonomic adjustability and efficient technology management to meet the user-specific needs.

Arcus 450 is designed for larger circular workspace arrangements to be configured according to the space and needs

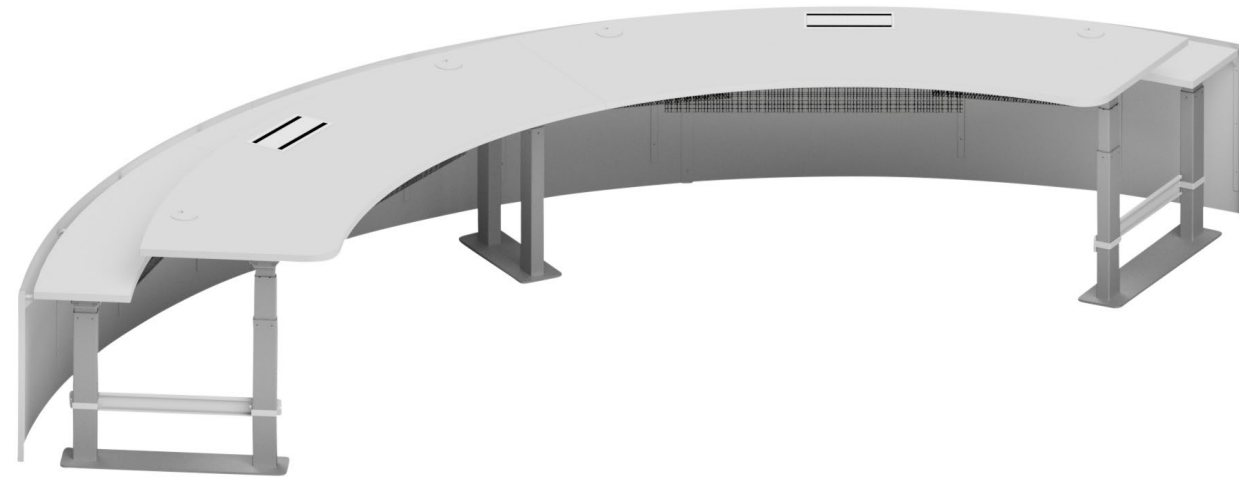
Materials and finishing

Table top	Bi-level, antimicrobial high-pressure (HPL) laminate (white or light grey)
Frame	Powder-coated steel (grey RAL 9006)
Front panel	Veneered perforated MDF board (light grey)
Accessories	Screen holder, cable routing equipment and Bi-Box for power distribution.

Dimensions

Width	4500 mm
Depth	1765 mm
Height	595 - 1245 mm

Dimensional drawing is available on the Arcus 450 Datasheet

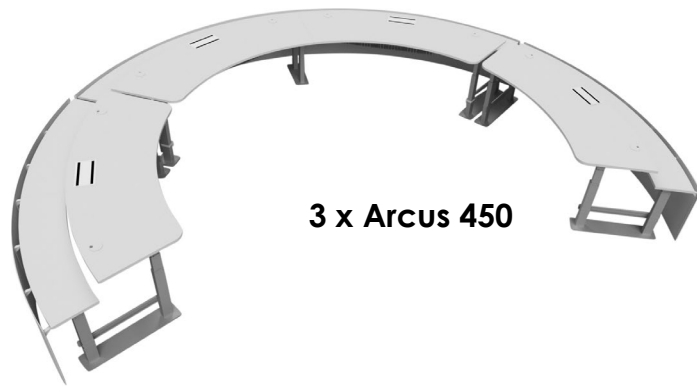


Arcus 450

CONTROL ROOM CONSOLE V0151 450

Datasheet

Dimensional drawing



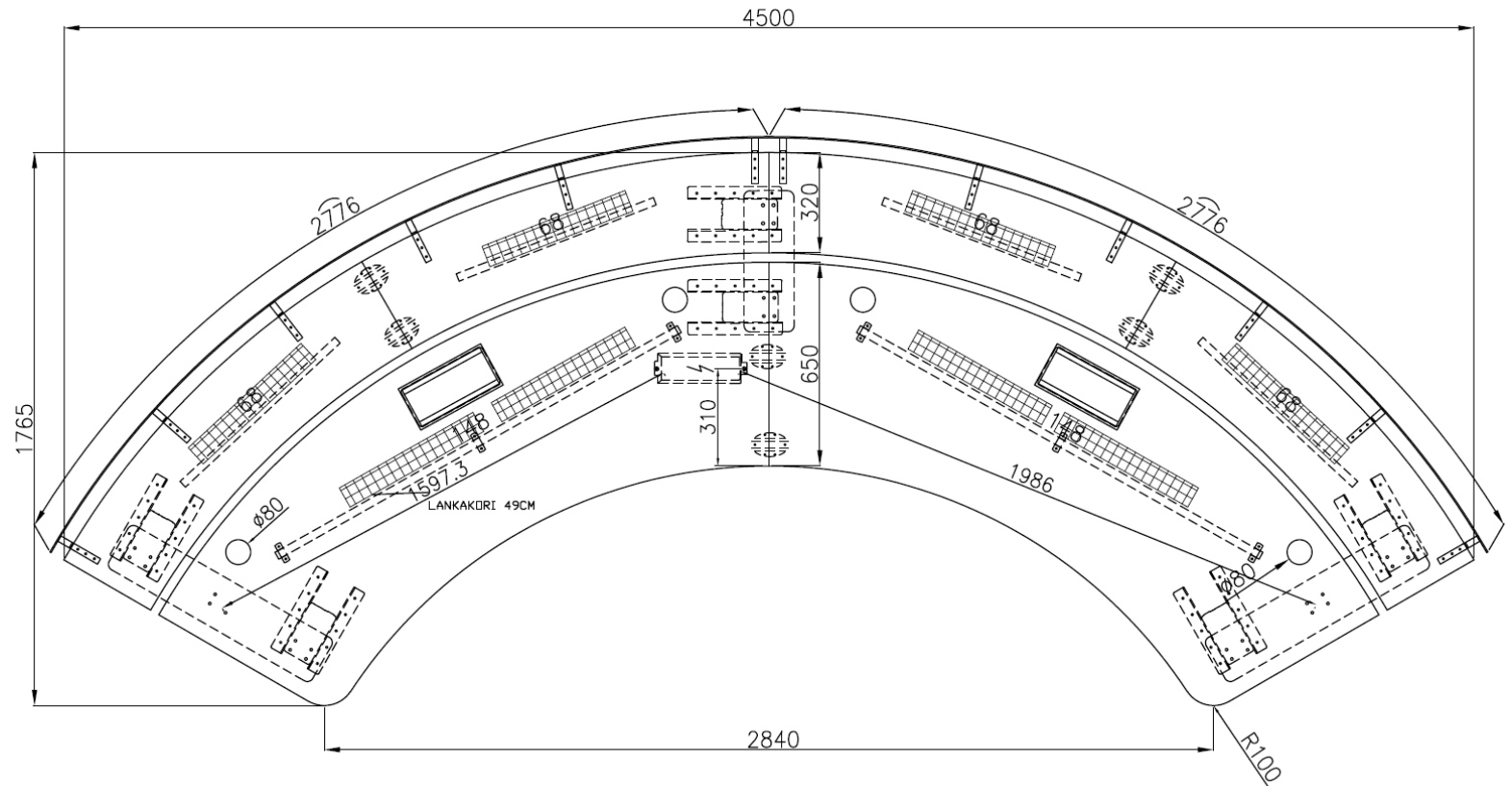
Accessories

Screen holder

Cable routing equipment

Bi-Box for power distribution with two optional inlays:

- 2 x schuko, 1 x RJ45, 1 x VGA, 1 x HDMI
- 3 x schuko, 2 x RJ45



Angulus 450

CONTROL ROOM CONSOLE V0152 450

Design by ISKU

ISKU control room consoles are designed for the multi-user environments operating 24/7. The design enables ultimate functionality by providing ergonomic adjustability and efficient technology management to meet the user-specific needs.

Angulus 450 is a 4.5-meter wide control room table with rounded corners at both ends. The table is designed so that it can be extended on the Directus control room table if desired.

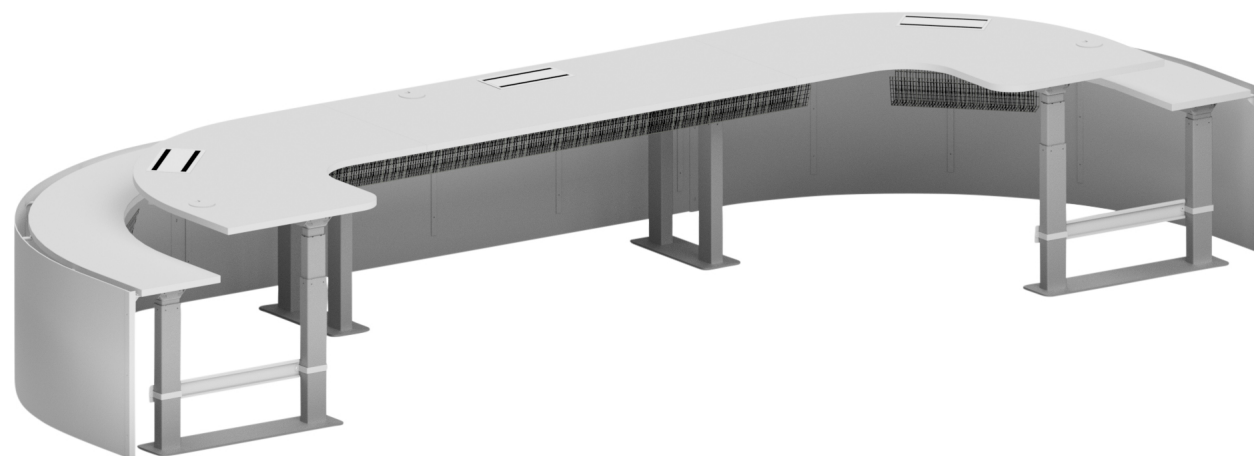
Materials and finishing

Table top	Bi-level, antimicrobial high-pressure (HPL) laminate (white or light grey)
Frame	Powder-coated steel (grey RAL 9006)
Front panel	Veneered perforated MDF board (light grey)
Accessories	Screen holder, cable routing equipment and Bi-Box for power distribution.

Dimensions

Width	4500 mm
Depth	1500 mm
Height	595 - 1245 mm

Dimensional drawing is available on the Angulus 450 Datasheet

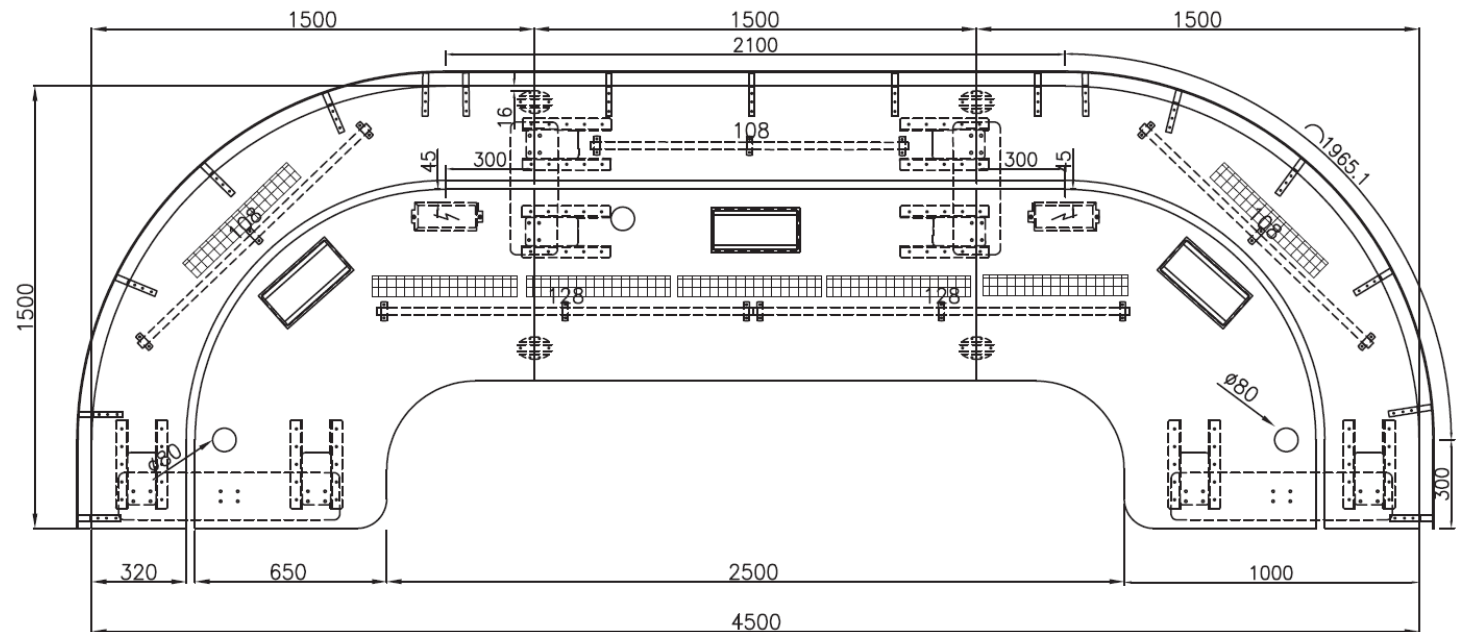
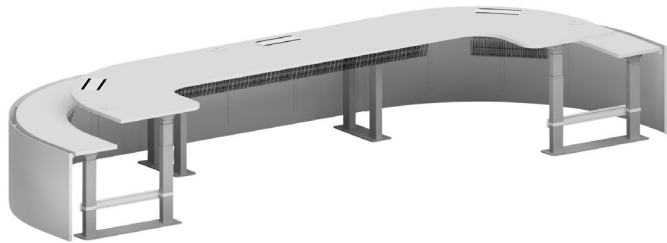


Angulus 450

CONTROL ROOM CONSOLE V0152 450

Datasheet

Dimensional drawing



Accessories

Screen holder

Cable routing equipment

Bi-Box for power distribution with two optional inlays:

- 2 x schuko, 1 x RJ45, 1 x VGA, 1 x HDMI
- 3 x schuko, 2 x RJ45

Angulus 600

CONTROL ROOM CONSOLE V0152 600

Design by ISKU

ISKU control room consoles are designed for the multi-user environments operating 24/7. The design enables ultimate functionality by providing ergonomic adjustability and efficient technology management to meet the user-specific needs.

The Angulus 600 is a 6-meter wide control room table with a round corner module integrated at both ends. The table is sturdy and can accommodate a large number of monitors.

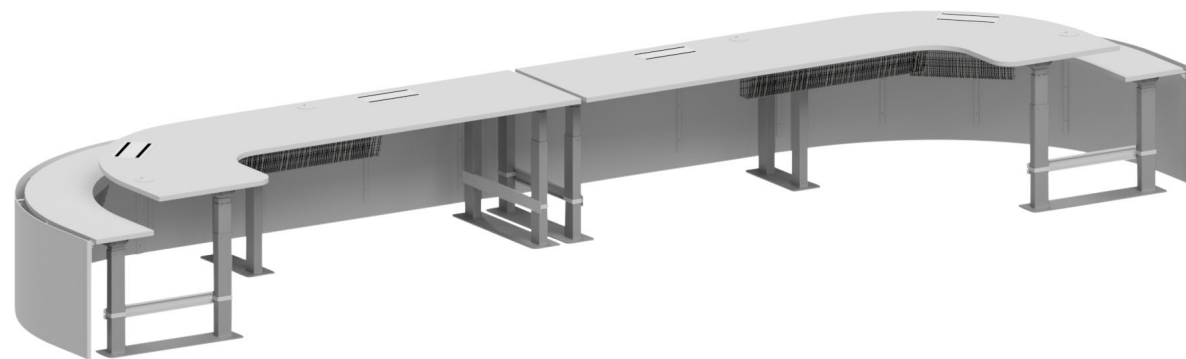
Materials and finishing

Table top	Bi-level, antimicrobial high-pressure (HPL) laminate (white or light grey)
Frame	Powder-coated steel (grey RAL 9006)
Front panel	Veneered perforated MDF board (light grey)
Accessories	Screen holder, cable routing equipment and Bi-Box for power distribution

Dimensions

Width	6000 mm
Depth	1500 mm
Height	595 - 1245 mm

Dimensional drawing is available on the Angulus 600 Datasheet

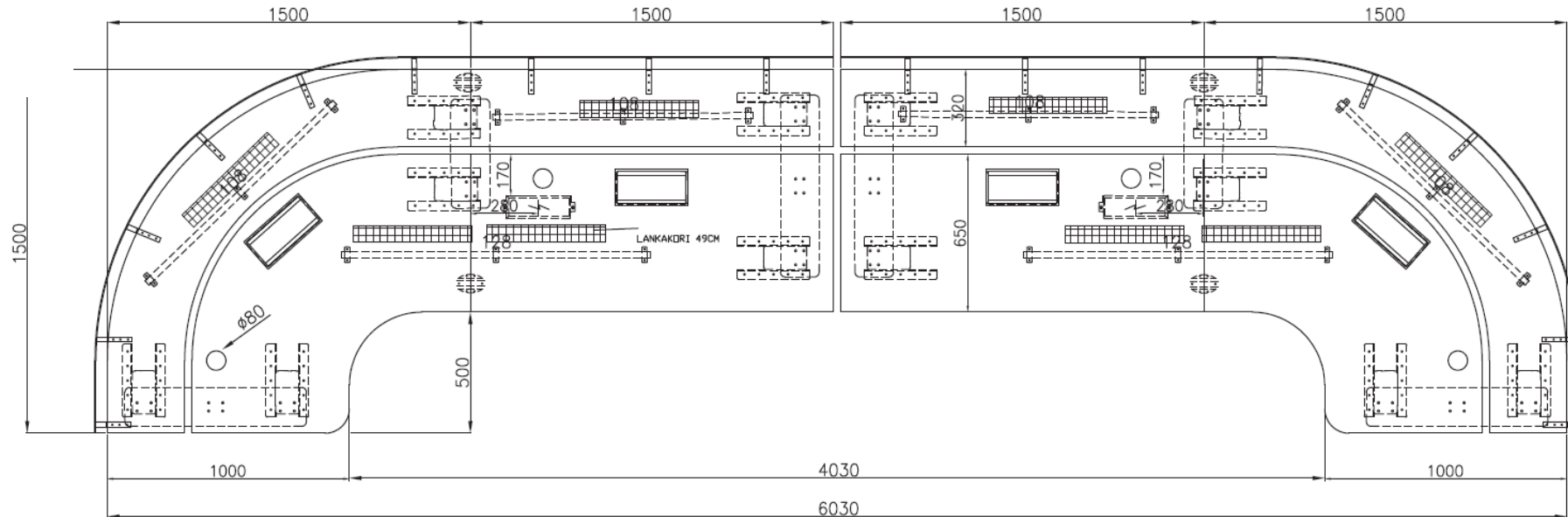
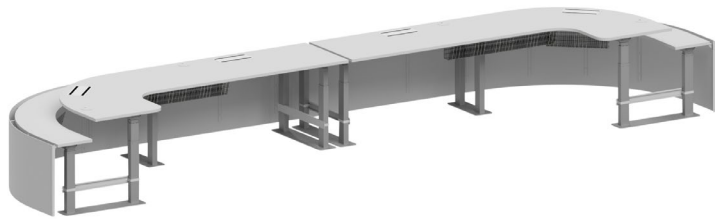


Angulus 600

CONTROL ROOM CONSOLE V0152 600

Datasheet

Dimensional drawing



Accessories

Screen holder

Cable routing equipment

Bi-Box for power distribution with two optional inlays:

- 2 x schuko, 1 x RJ45, 1 x VGA, 1 x HDMI
- 3 x schuko, 2 x RJ45



ISKU Control Room